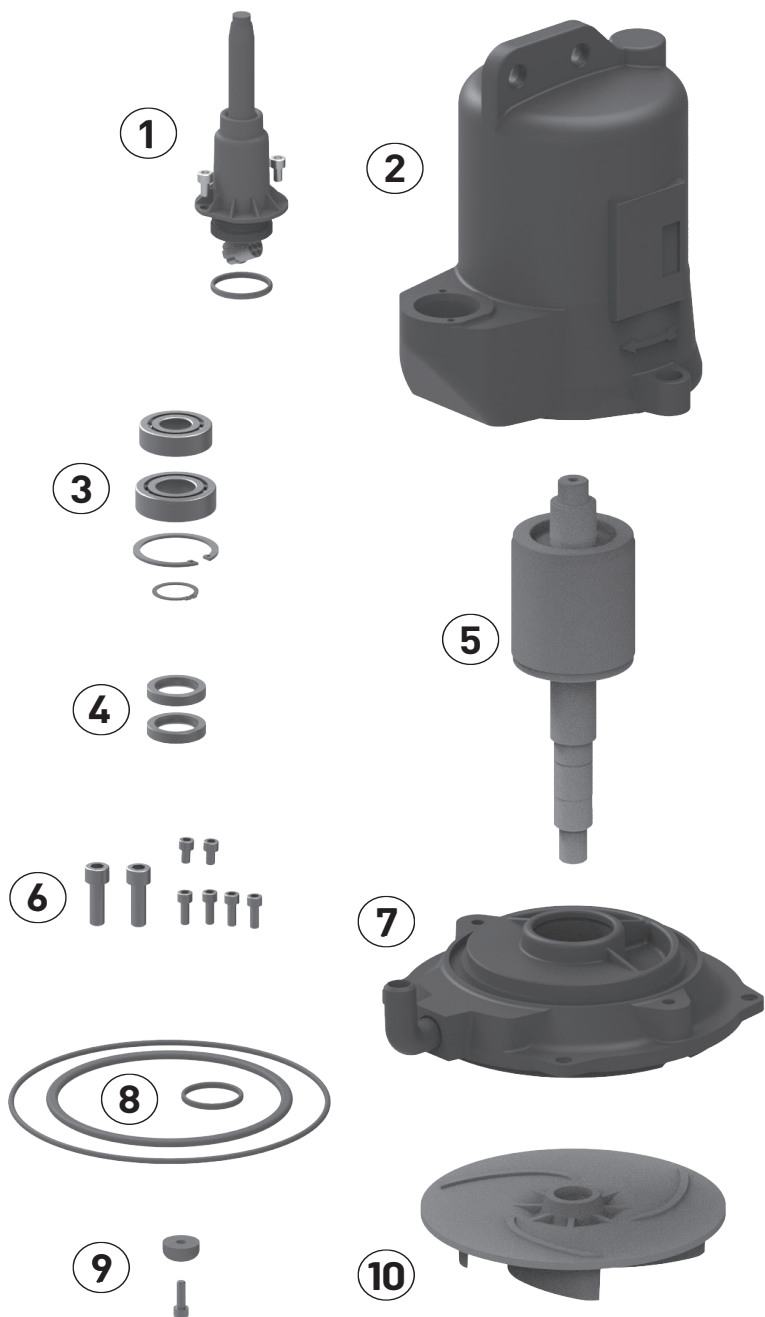




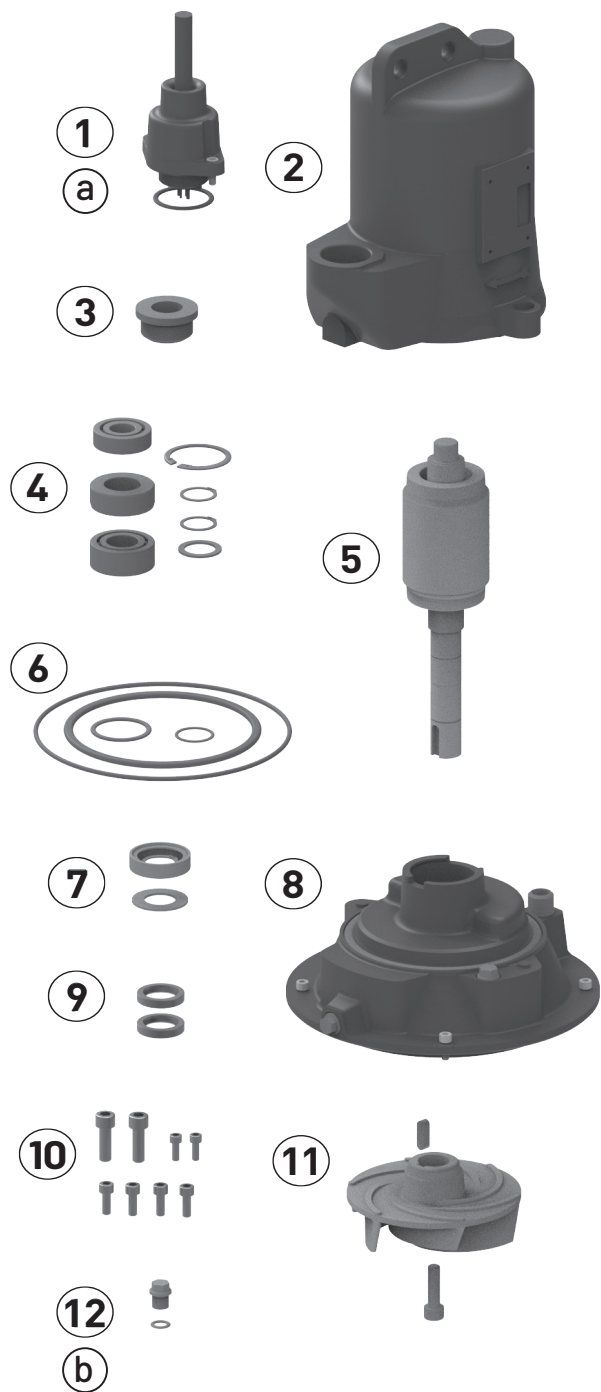
|   |                                |                               |                |
|---|--------------------------------|-------------------------------|----------------|
| ① | Niveauerfassung                | Level control                 |                |
|   | 4 m                            |                               | <b>JP50467</b> |
|   | 15 m                           |                               | <b>JP50468</b> |
| ② | Dichtung Niveauerfassung       | Seal level control            | <b>JP50479</b> |
| ③ | Adapter                        | Adapter                       | <b>JP50478</b> |
| ④ | Steuerung                      | Control unit                  |                |
|   | BD 610ECR (1010/4 BWE)         |                               | <b>JP50504</b> |
|   | BD 25R (1010/4, 1015/4)        |                               | <b>JP50505</b> |
|   | BD 46R (1025/4, 1025/2)        |                               | <b>JP50506</b> |
|   | BD 610R (1035/2)               |                               | <b>JP50507</b> |
| ⑤ | Elastische Verbindung          | Elastic connector             | <b>JP43705</b> |
| ⑥ | Flansch                        | Flange                        | <b>JP43706</b> |
| ⑦ | Steuerungsplatine              | Control board                 | <b>JP47304</b> |
|   | Leistungsschütz                | Contactors                    | <b>JP47671</b> |
|   | 230V DIL EM-10 4 KW            | 230V DIL EM-10 4 KW           |                |
| ⑧ | Pumpe                          | Pump                          |                |
|   | ...10/4 BWE, 4 m               |                               | <b>JP50470</b> |
|   | ...10/4 BWE, 15 m              |                               | <b>JP50584</b> |
|   | ...10/4                        |                               | <b>JP50469</b> |
|   | ...15/4                        |                               | <b>JP48824</b> |
|   | ...25/4                        |                               | <b>JP48825</b> |
|   | ...25/2                        |                               | <b>JP48826</b> |
|   | ...35/2                        |                               | <b>JP48827</b> |
|   | ...10/4, 15M                   |                               | <b>JP50162</b> |
|   | ...15/4, 15M                   |                               | <b>JP50163</b> |
|   | ...25/4, 15M                   |                               | <b>JP50164</b> |
| ⑨ | Rückschlagklappe               | Reflux valve                  | <b>JP50566</b> |
| ⑩ | Reduzierstück<br>DN 150/DN 100 | Reducer<br>DN 150/DN 100      | <b>JP48871</b> |
| ⑪ | Doppelklappe                   | Double flap                   | <b>JP46812</b> |
| ⑫ | Klemmflansch                   | Clamping flange               | <b>JP43713</b> |
| ⑬ | Basisplatte                    | Base plate                    | <b>JP43714</b> |
| ⑭ | Pumpenlüftung                  | Pump ventilation              | <b>JP43710</b> |
| ⑮ | Dichtband                      | Sealing tape                  | <b>JP47966</b> |
| ⑯ | Wartungsdeckel                 | Service lid                   | <b>JP42798</b> |
| ⑰ | Steckdichtung<br>D50xD59       | Plug-in connection<br>D50xD59 | <b>JP45099</b> |
| ⑱ | Überschiebmuffe                | Collar                        | <b>JP47287</b> |
| ⑲ | Auftriebssicherung             | Anti floating                 | <b>JP43709</b> |
| ⑳ | Behälter                       | Tank                          | <b>JP44861</b> |



|   |  |  |  |
|---|--|--|--|
| ① | Niveauerfassung<br>4 m<br>15 m   | Level control  | <b>JP43712</b><br><b>JP48227</b>   |
| ② | Dichtung Niveauerfassung   | Seal level control   | <b>JP50479</b>   |
| ③ | Adapter  | Adaper   | <b>JP50478</b>   |
| ④ | Steuerung<br>HighLogo 2-610ECP (1010/4 BWE)<br>HighLogo 2-25P (1010/4, 1015/4)<br>HighLogo 2-46P (1025/4, 1025/2)<br>HighLogo 2-610P (1035/2)        | Control unit   | <b>JP50509</b><br><b>JP50510</b><br><b>JP50511</b><br><b>JP50512</b>   |
| ⑤ | Elastische Verbindung  | Elastic connector  | <b>JP43705</b>   |
| ⑥ | Flansch  | Flange   | <b>JP43706</b>   |
| ⑦ | HighLogo 2, Platine<br>HighLogo 2, Tür-Set<br>Leistungsschütz DILMT9<br>Hilfssch.Baustein 11 DILT-XH11   | HighLogo 2, PCBA<br>HighLogo 2, Door-Set<br>Contactor DILMT9<br>Auxiliary switch 1 1 DILT-XH11 | <b>JP50176</b><br><b>JP48147</b><br><b>JP50518</b><br><b>JP50519</b>   |
| ⑧ | Pumpe<br>...10/4 BWE, 4 m<br>...10/4 BWE, 15 m<br>...10/4<br>...15/4<br>...25/4<br>...25/2<br>...35/2<br>...10/4, 15M<br>...15/4, 15M<br>...25/4,15M | Pump   | <b>JP50470</b><br><b>JP50584</b><br><b>JP50469</b><br><b>JP48824</b><br><b>JP48825</b><br><b>JP48826</b><br><b>JP48827</b><br><b>JP50162</b><br><b>JP50163</b><br><b>JP50164</b> |
| ⑨ | Rückschlagklappe   | Reflux valve   | <b>JP50566</b>   |
| ⑩ | Reduzierstück DN 150/DN 100  | Reducer DN 150/DN 100  | <b>JP48871</b>   |
| ⑪ | Doppelklappe   | Double flap  | <b>JP46812</b>   |
| ⑫ | Klemmflansch   | Clamping flange  | <b>JP43713</b>   |
| ⑬ | Basisplatte  | Base plate   | <b>JP43714</b>   |
| ⑭ | Pumpenlüftung  | Pump ventilation   | <b>JP43710</b>   |
| ⑮ | Dichtband  | Sealing tape   | <b>JP47966</b>   |
| ⑯ | Wartungsdeckel   | Service lid  | <b>JP42798</b>   |
| ⑰ | Steckdichtung D50xD59  | Plug-in connection D50xD59   | <b>JP45099</b>   |
| ⑱ | Überschiebmuffe  | Collar   | <b>JP47287</b>   |
| ⑲ | Auftriebssicherung   | Anti floating  | <b>JP43709</b>   |
| ⑳ | Behälter   | Tank   | <b>JP44861</b>   |



|   |                        |                  |                |
|---|------------------------|------------------|----------------|
| ① | Leitung                | Cable            |                |
|   | 10/4, 15/4, 25/4, 4 m  |                  | <b>JP50485</b> |
|   | 10/4, 15/4, 25/4, 15 m |                  | <b>JP50161</b> |
|   | 1010/4 BWE, 4 m        |                  | <b>JP50486</b> |
|   | 1010/4 BWE, 15 m       |                  | <b>JP50487</b> |
| ② | Stator + Gehäuse       | Stator + Housing |                |
|   | 10/4                   |                  | <b>JP50488</b> |
|   | 15/4, 25/4             |                  | <b>JP50447</b> |
|   | 1010/4 BWE             |                  | <b>JP50448</b> |
| ③ | Lagersatz              | Bearing set      | <b>JP46724</b> |
| ④ | Motorabdichtung        | Motor seals      | <b>JP46806</b> |
| ⑤ | Rotorwelle             | Rotor shaft      |                |
|   | 10/4                   |                  | <b>JP46761</b> |
|   | 15/4, 25/4             |                  | <b>JP50322</b> |
|   | 1010/4 BWE             |                  | <b>JP46801</b> |
| ⑥ | Schraubensatz          | Screw set        | <b>JP50450</b> |
| ⑦ | Lagerschild            | Bearing housing  | <b>JP43720</b> |
| ⑧ | Dichtungssatz          | Seal set         | <b>JP50449</b> |
| ⑨ | Laufschraube           | Impeller screw   | <b>JP46803</b> |
| ⑩ | Laufgrad               | Impeller         |                |
|   | 10/4                   |                  | <b>JP47290</b> |
|   | 15/4                   |                  | <b>JP50320</b> |
|   | 25/4                   |                  | <b>JP50321</b> |
|   | 1010/4 BWE             |                  | <b>JP47290</b> |



|   |                   |                  |                |
|---|-------------------|------------------|----------------|
| ① | Leitung           | Cable            | <b>JP43717</b> |
| ② | Stator + Gehäuse  | Stator + Housing |                |
|   | 25/2              |                  | <b>JP44008</b> |
|   | 35/2              |                  | <b>JP46211</b> |
| ③ | Gleitringdichtung | Mechanical seal  | <b>JP46567</b> |
| ④ | Lagersatz         | Bearing set      | <b>JP46214</b> |
| ⑤ | Rotorwelle        | Rotor shaft      |                |
|   | 25/2              |                  | <b>JP48339</b> |
|   | 35/2              |                  | <b>JP48340</b> |
| ⑥ | Dichtungssatz     | Seal set         | <b>JP46807</b> |
| ⑦ | Wellenabdeckung   | Shaft cover      | <b>JP47043</b> |
| ⑧ | Lagerschild       | Bearing housing  | <b>JP43726</b> |
| ⑨ | Motorabdichtung   | Motor seals      | <b>JP46806</b> |
| ⑩ | Schraubensatz     | Screw set        | <b>JP47291</b> |
| ⑪ | Lauftrad          | Impeller         |                |
|   | 25/2              |                  | <b>JP48359</b> |
|   | 35/2              |                  | <b>JP48360</b> |
| ⑫ | Ölschraube        | Oil screw        | <b>JP46046</b> |

|   |                   |                |
|---|-------------------|----------------|
| a | 10x O-Ring 38x3,5 | <b>JP48109</b> |
| b | 10x O-Ring 10x2,5 | <b>JP48088</b> |