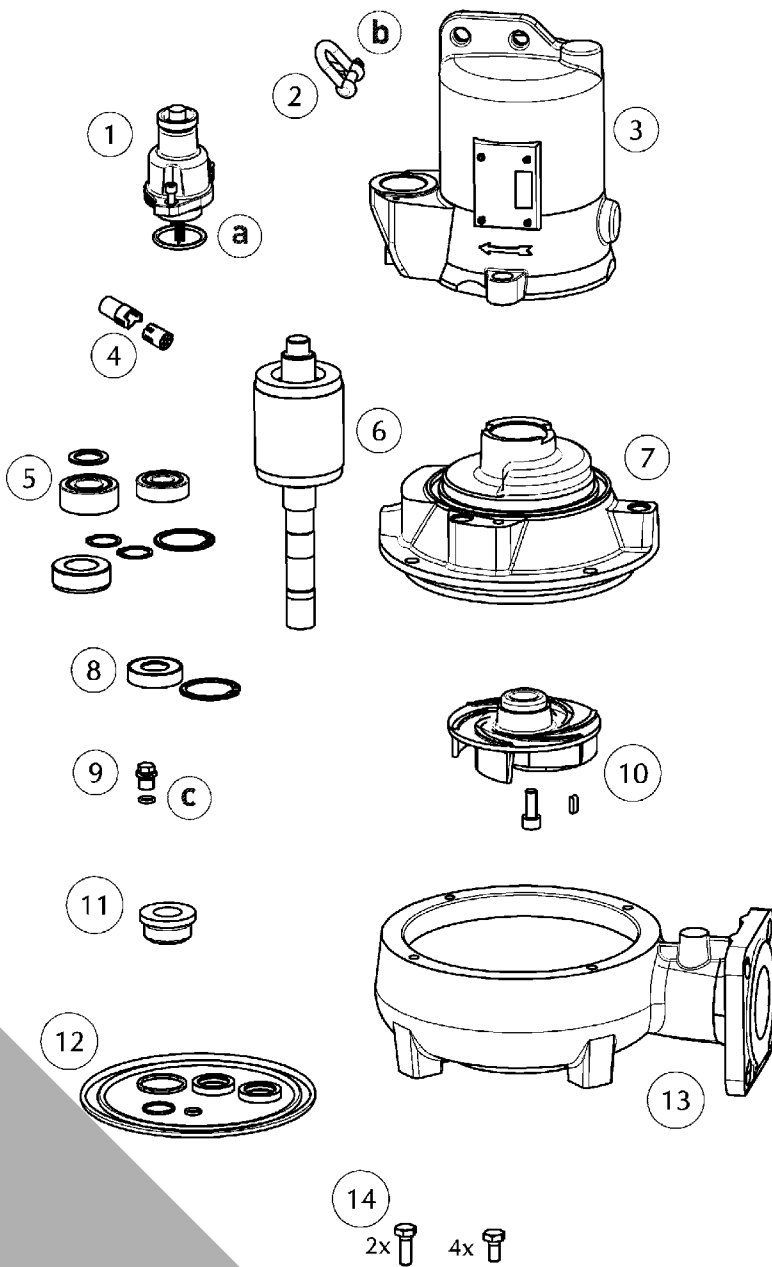
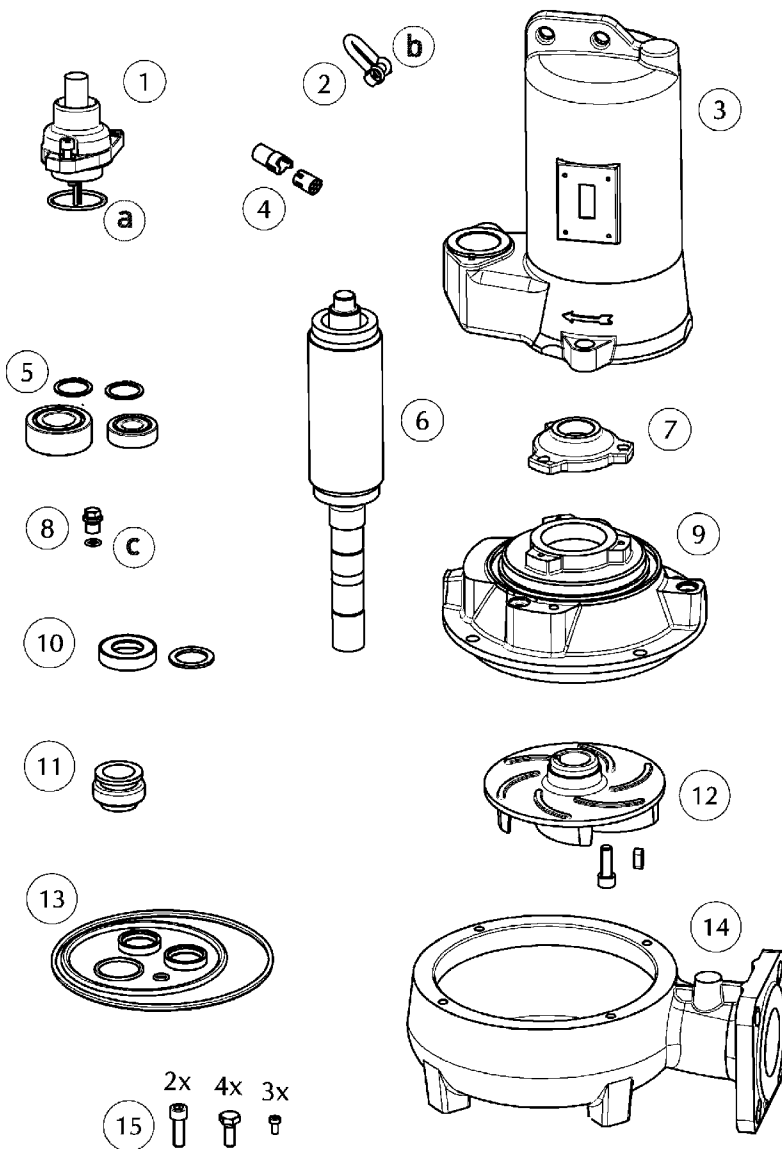


Ersatzteile - Spare parts - Pièces de rechange - Reserveonderdelen - Parti di ricambio - Reservedele - Reservdelar  
 Varaosat - Części zamienne - Náhradní díly - Alkatrészek - Piese de schimb - Запасные части - 备件

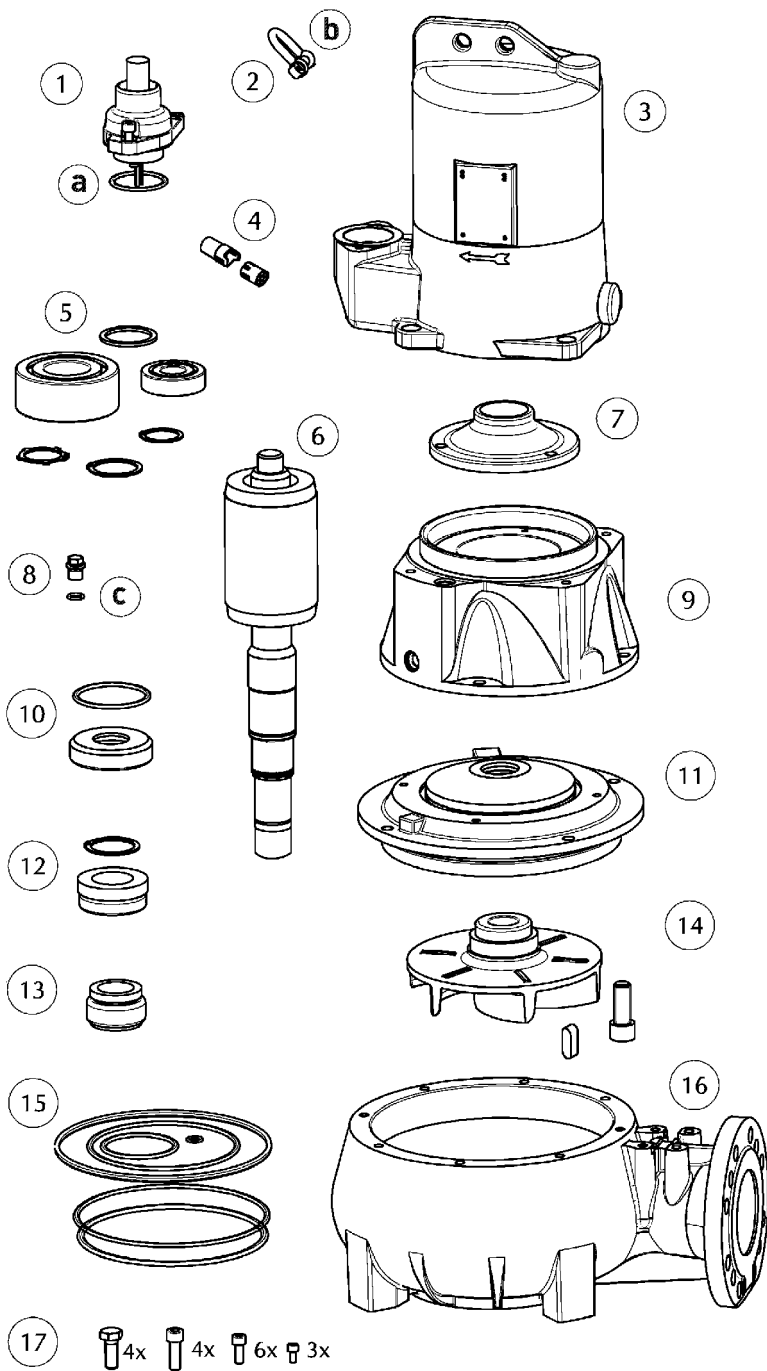


a	10x O-Ring 38x3,5	JP48109
b	10x Splint / Cotter pins 1,6x20	JP46182
c	10x O-Ring 10x2,5	JP48088

①	Leitung 10 m EX, 5 m EX, 10 m EX, 15 m EX, 20 m	Cable	JP46259 JP47501 JP45469 JP45583 JP45584
②	Schäkel	Shackle	JP45904
③	Stator + Gehäuse 10/2, 15/2, 25/2 35/2 10/4, 15/4, 25/4 35/4	Stator + Housing	JP44008 JP46211 JP47042 JP47045
④	Steckverbinder	Connector	JP46572
⑤	Lagersatz	Bearing set	JP46214
⑥	Rotorwelle 10/2, 15/2, 25/2 35/2 10/4, 15/4, 25/4 35/4	Rotor shaft	JP48339 JP48340 JP48342 JP48343
⑦	Lagerkammer	Bearing housing	JP46720
⑧	Wellenabdeckung	Shaft cover	JP47043
⑨	Ölschraube	Oil screw	JP46046
⑩	Laufrad 10/2 AW1 15/2 AW1 25/2 AW1 35/2 AW1 15/4 AW2 25/4 AW2 35/4 AW2 25/2 BW1 35/2 BW1 10/4 CW1 15/4 BW1, 15/4 CW1 25/4 BW1, 25/4 CW1 35/4 BW1, 35/4 CW1	Impeller	JP48351 JP48352 JP48353 JP48354 JP48355 JP48356 JP48357 JP48359 JP48360 JP48362 JP48363 JP48364 JP48365
⑪	Gleitringdichtung	Mechanical seal	JP46567
⑫	Dichtungssatz	Set of seals	JP47077
⑬	Pumpengehäuse AW1 AW2 BW1 CW1	Pump casing	JP46719 JP48591 JP46718 JP46717
⑭	Schraubensatz	Screw set	JP47076
⑮	1l Öl	1l Oil	JP48236



①	Leitung	Cable	
	10 m		JP46259
	EX, 5 m		JP47501
	EX, 10 m		JP45469
	EX, 15 m		JP45583
	EX, 20 m		JP45584
②	Schäkel	Shackle	JP45904
③	Stator + Gehäuse	Stator + Housing	
	45/2		JP48376
	45/4		JP48377
④	Steckverbinder	Connector	JP46572
⑤	Lagersatz	Bearing set	JP48378
⑥	Rotorwelle	Rotor shaft	
	45/2		JP48341
	45/4		JP48344
⑦	Lagerdeckel	Bearing cover	JP48379
⑧	Luft-/Ölschraube	Air-/Oil screw	JP46046
⑨	Lagerkammer	Bearing housing	
	AW1, AW2, BW1, CW1		JP48384
	BW2, CW2		JP48388
⑩	Wellenabdeckung	Shaft cover	JP48380
⑪	Gleitringdichtung	Mechanical seal	JP48381
⑫	Laufblad	Impeller	
	45/2		JP48361
	45/4 AW2		JP48358
	45/4 BW2, CW2		JP48366
⑬	Dichtungssatz	Set of seals	JP48386
⑭	Pumpengehäuse	Pump casing	
	AW1		JP46719
	AW2		JP48591
	BW1		JP46718
	BW2		JP48592
	CW1		JP46717
	CW2		JP46723
⑮	Schraubensatz	Screw set	JP48387
⑯	1l Öl	1l Oil	JP48236



①	Leitung	Cable	
	10 m		JP46575
	EX, 10 m		JP46576
	EX, 15 m		JP46634
	EX, 20 m		JP46635
	EX, 25 m		JP46636
	EX, 30 m		JP46637
②	Schäkel	Shackle	JP45904
③	Stator + Gehäuse	Stator + Housing	
	55/4		JP47142
	75/2		JP46574
	75/4		JP47143
	100/2		JP47144
	100/4		JP47178
④	Steckverbinder	Connector	JP46573
⑤	Lagersatz	Bearing set	JP47137
⑥	Rotorwelle	Rotor shaft	
	55/4		JP48348
	75/2		JP48346
	75/4		JP48349
	100/2		JP48347
	100/4		JP48350
⑦	Lagerdeckel	Bearing cover	JP47155
⑧	Ölschraube	Oil screw	JP46046
⑨	Lagerkammer	Bearing housing	JP47158
⑩	Wellenabdeckung	Shaft cover	JP47181
⑪	Trennflansch	Partition flange	JP47159
⑫	Gleitringdichtung	Mechanical seal	JP46587
⑬	Gleitringdichtung	Mechanical seal	JP47140
⑭	Lauftrad	Impeller	
	55/4 BW2		JP48369
	55/4 CW2		JP48372
	75/2 BW1, CW1		JP48367
	75/4 BW2		JP48370
	75/4 CW2		JP48373
	100/2 BW1, CW1		JP48368
	100/4 BW2		JP48371
	100/4 CW3		JP48374
⑮	Dichtungssatz	Set of seals	JP47138
⑯	Pumpengehäuse	Pump casing	
	BW1		JP46718
	BW2		JP48592
	CW1		JP46717
	CW2		JP46723
	CW3		JP48593
⑰	Schraubensatz	Screw set	JP47139
⑱	1l Öl	1l Oil	JP48236