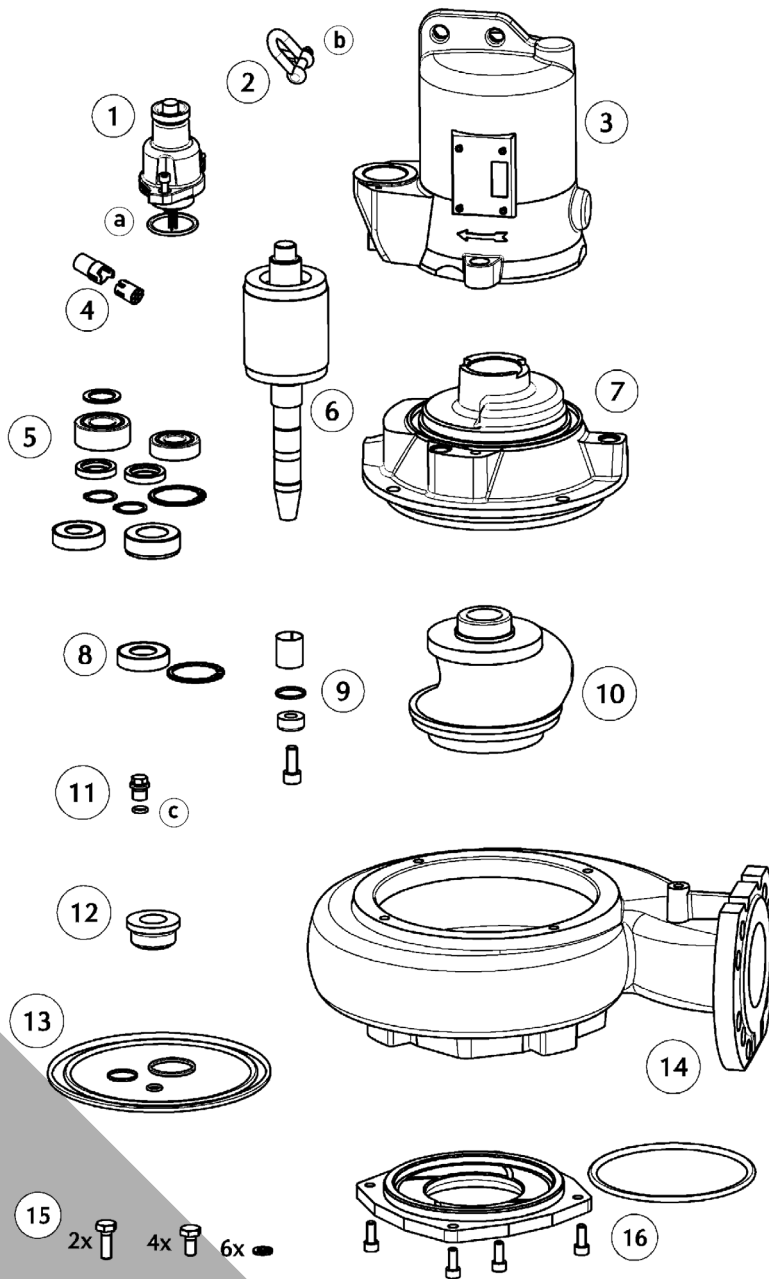


MULTISTREAM 10 - 35

Ersatzteile - Spare parts - Pièces de rechange - Reserveonderdelen - Parti di ricambio - Reservedele - Reservdelar
 Varaosat - Części zamienne - Náhradní díly - Alkatrészek - Piese de schimb - Запасные части - 备件

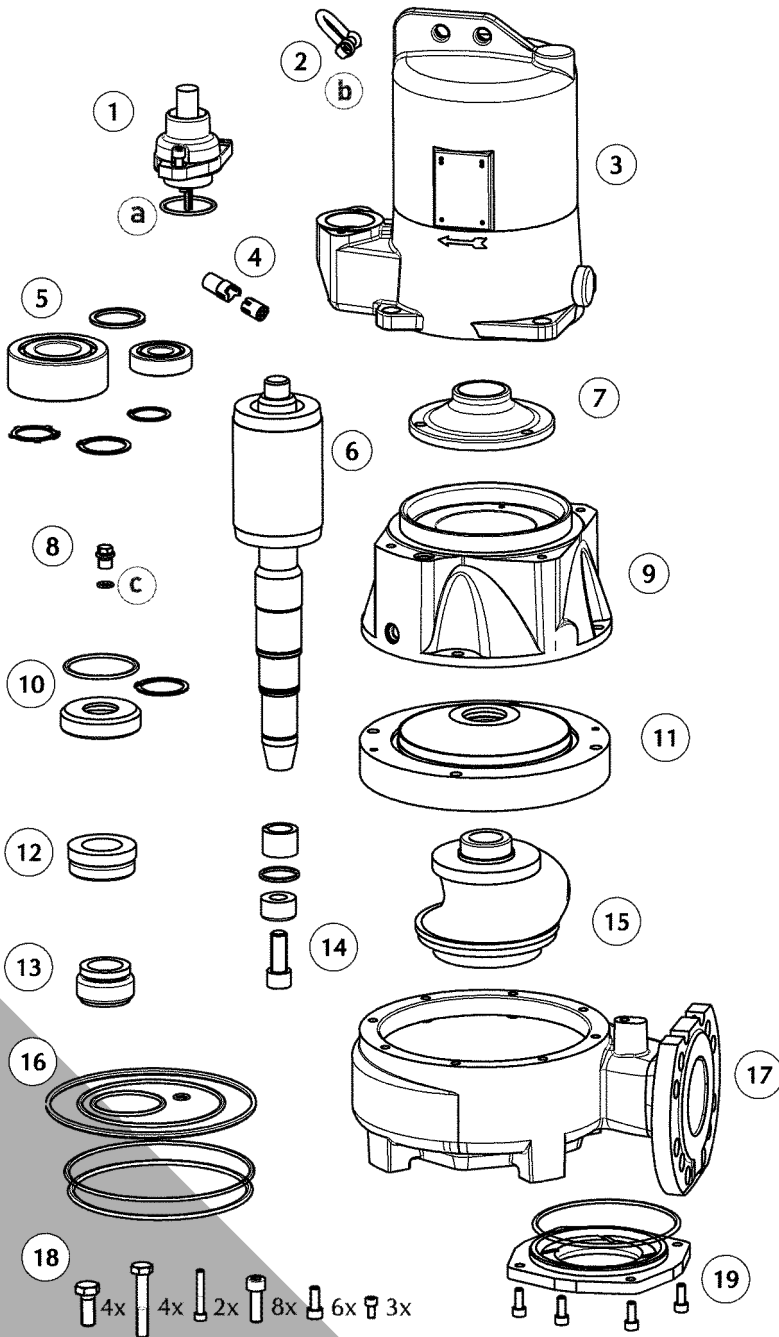


a	10x O-Ring 38x3,5	JP48109
b	10x Splint / Cotter pins 1,6 x 20	JP46182
c	10x O-Ring 10x2,5	JP48088

①	Leitung 10 M EX, 10 M EX, 15 M EX, 20 M	Cable	JP46259 JP45469 JP45583 JP45584
②	Schäkel	Shackle	JP45904
③	Stator + Gehäuse 10/2, 15/2, 25/2 35/2 10/4, 15/4, 25/4 35/4	Stator + Housing	JP44008 JP46211 JP47042 JP47045
④	Steckverbinder	Connector	JP46572
⑤	Lagersatz	Bearing set	JP46214
⑥	Rotorwelle 10/2, 15/2, 25/2 35/2 10/4, 15/4, 25/4 35/4	Rotor shaft	JP47038 JP47039 JP47040 JP47041
⑦	Lagerkammer A1 B1 A2, B2 B3, B4, C1	Bearing housing	JP47068 JP47069 JP47070 JP47071
⑧	Wellenabdeckung	Shaft cover	JP47043
⑨	Laufradbefestigung	Impeller fixation	JP47059
⑩	Laufrad 10/2 A1 15/2 A1 25/2 A2 35/2 A2 25/2 B1 35/2 B2 10/4 B1 15/4 B3 25/4 B4 35/4 B4 25/4 C1 35/4 C1	Impeller	JP47047 JP47048 JP47049 JP47050 JP47051 JP47052 JP47053 JP47054 JP47055 JP47056 JP47057 JP47058
⑪	Ölschraube	Oil screw	JP46046
⑫	Gleitringdichtung	Mechanical seal	JP46567
⑬	Dichtungssatz	Seal set	JP47077
⑭	Pumpengehäuse A1 A2 B1 B2 B3 B4 C1 UC	Pump casing	JP47060 JP47061 JP47062 JP47063 JP47064 JP47065 JP47066 JP47067
⑮	Schraubensatz	Screw set	JP47076
⑯	Schleifring B2 B4 C1	Wear ring	JP47072 JP47073 JP47074
⑰	1l Öl	1l Oil	JP48236

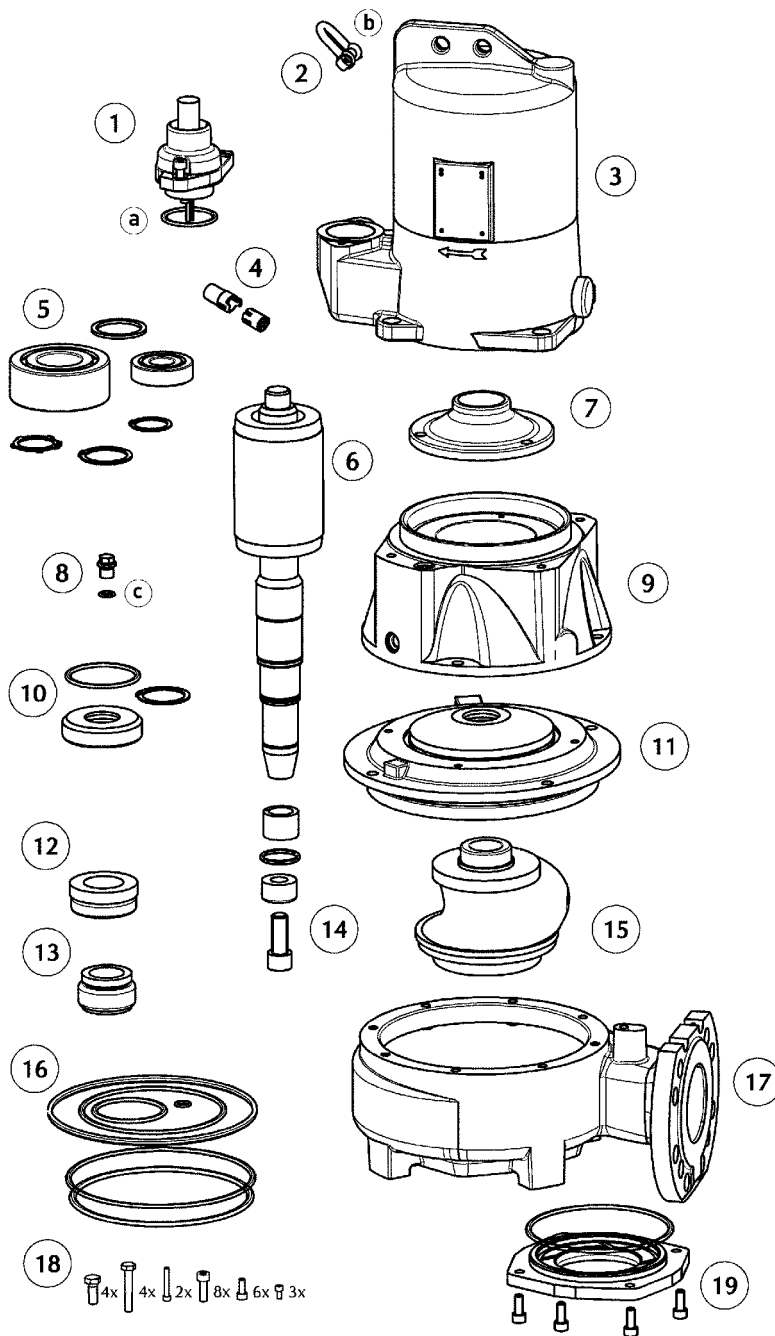
MULTISTREAM 55/2

Ersatzteile - Spare parts - Pièces de rechange - Reserveonderdelen - Parti di ricambio - Reservedele - Reservdelar
 Varaosat - Części zamienne - Náhradní díly - Alkatrészek - Piese de schimb - Запасные части - 备件



①	Leitung	Cable	
	10 m		JP46575
	EX, 10 m		JP46576
	EX, 15 m		JP46634
	EX, 20 m		JP46635
	EX, 25 m		JP46636
	EX, 30 m		JP46637
②	Schäkel	Shackle	JP45904
③	Stator + Gehäuse	Stator + Housing	JP47141
④	Steckverbinder	Connector	JP46573
⑤	Lagersatz	Bearing set	JP47137
⑥	Rotorwelle	Rotor shaft	JP47148
⑦	Lagerdeckel	Bearing cover	JP47155
⑧	Ölschraube	Oil screw	JP46046
⑨	Lagerkammer	Bearing housing	JP47162
⑩	Wellenabdeckung	Shaft cover	JP47181
⑪	Trennflansch	Partition flange	JP47160
⑫	Gleitringdichtung	Mechanical seal	JP46587
⑬	Gleitringdichtung	Mechanical seal	JP47140
⑭	Lauf radbefestigung	Impeller fixation	JP47182
⑮	Lauf rad	Impeller	JP47145
⑯	Dichtungssatz	Seal set	JP47138
⑰	Pumpengehäuse	Pump casing	JP47063
⑱	Schraubensatz	Screw set	JP47139
⑲	Schleibring	Wear ring	JP47163
⑳	1l Öl	1l Oil	JP48236

a	10x O-Ring 47x3,5	JP48110
b	10x Splint / Cotter pins 1,6 x 20	JP46182
c	10x O-Ring 10x2,5	JP48088

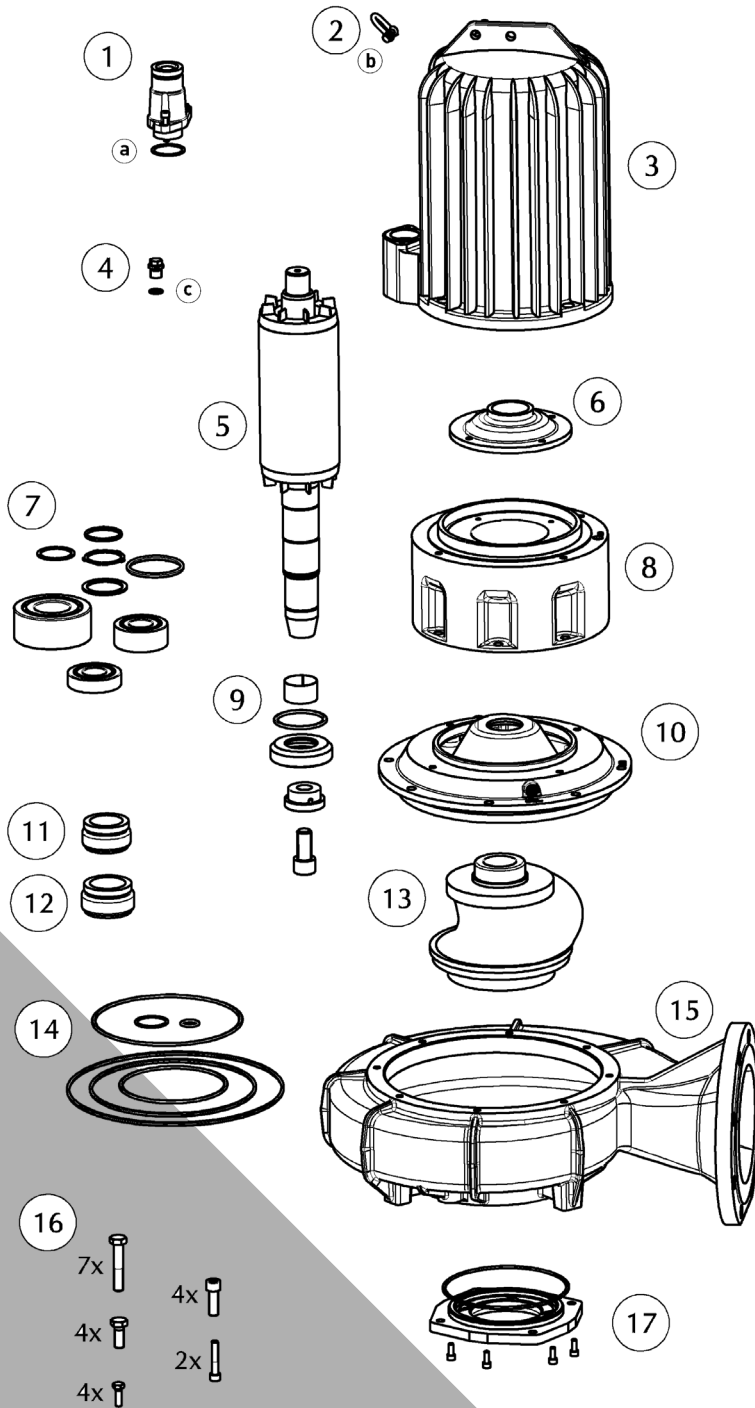


a	10x O-Ring 47x3,5	JP48110
b	10x Splint / Cotter pins 1,6 x 20	JP46182
c	10x O-Ring 10x2,5	JP48088

①	Leitung 10 m EX, 10 m EX, 15 m EX, 20 m EX, 25 m EX, 30 m	Cable	JP46575 JP46576 JP46634 JP46635 JP46636 JP46637
②	Schäkel	Shackle	JP45904
③	Stator + Gehäuse 55/4 75/2 75/4 100/2 100/4	Stator + Housing	JP47142 JP46574 JP47143 JP47144 JP47178
④	Steckverbinder	Connector	JP46573
⑤	Lagersatz	Bearing set	JP47137
⑥	Rotorwelle 55/4 75/2 75/4, 76/4 100/2 100/4	Rotor shaft	JP47151 JP47149 JP47152 JP47150 JP47169
⑦	Lagerdeckel	Bearing cover	JP47155
⑧	Ölschraube	Oil screw	JP46046
⑨	Lagerkammer	Bearing housing	JP47158
⑩	Wellenabdeckung	Shaft cover	JP47181
⑪	Trennflansch B5 B6, C2, C5	Partition flange	JP47159 JP47161
⑫	Gleitringdichtung	Mechanical seal	JP46587
⑬	Gleitringdichtung	Mechanical seal	JP47140
⑭	Laufradbefestigung B5, C5, 55/4 C2 B6, 75/4, 100/4 C2	Impeller fixation	JP47182 JP47183
⑮	Laufrad 55/4 B6 55/4 C2 55/4 C5 75/2 B5 75/4 B6 75/4 C2 75/4 C5 100/2 B5 76/4 C5, 100/4 C2, 100/4 C5	Impeller	JP47156 JP47172 JP47170 JP47146 JP47157 JP47173 JP47171 JP47147 JP47174
⑯	Dichtungssatz	Seal set	JP47138
⑰	Pumpengehäuse B5 B6 C2 C5 UC ...C5 UC ...B6	Pump casing	JP47153 JP47101 JP47175 JP47176 JP47177 JP47154
⑱	Schraubensatz	Screw set	JP47139
⑲	Schleibring 55/4 B6 55/4 C2 55/4 C5, 75/4 C5 75/2 B5 75/4 B6 75/4 C2, 76/4 C5, 100/4 C2, 100/4 C5 100/2 B5	Wear ring	JP47164 JP47167 JP47166 JP47072 JP47165 JP47168 JP47163
⑳	1l Öl	1l Oil	JP48236

MULTISTREAM 150 - 300

Ersatzteile - Spare parts - Pièces de rechange - Reserveonderdelen - Parti di ricambio - Reservedele - Reservdelar
 Varaosat - Części zamienne - Náhradní díly - Alkatrészek - Piese de schimb - Запасные части - 备件



a	10x O-Ring 47x3,5	JP48110
b	10x Splint / Cotter pins 1,6 x 20	JP46182
c	10x O-Ring 10x2,5	JP48088

①	Leitung 150-231, 10 M 300, 10 M 150-231 EX, 10 M 150-231 EX, 15 M 150-231 EX, 20 M 150-231 EX, 25 M 150-231 EX, 30 M 300 EX, 10 M 300 EX, 15 M 300 EX, 20 M 300 EX, 25 M 300 EX, 30 M	Cable	JP47179 JP47095 JP47180 JP49055 JP49056 JP49057 JP49058 JP47097 JP48157 JP48158 JP48159 JP48160
②	Schäkel	Shackle	JP45904
③	Stator + Gehäuse 150/4, 151/4 200/2 230/4, 231,4 300/2 300/4	Stator + Housing	JP47091 JP47089 JP47092 JP47090 JP47093
④	Ölschraube	Oil screw	JP46046
⑤	Rotorwelle 150/4, 151/4 200/2 230/4, 231,4 300/2 300/4	Rotor shaft	JP47109 JP47110 JP47111 JP47112 JP47113
⑥	Lagerdeckel	Bearing cover	JP47100
⑦	Lagersatz 150-231 300	Bearing set	JP47108 JP47044
⑧	Lagerkammer 200/2, 300/2 150/4 - 300/4	Bearing housing	JP47128 JP47129
⑨	Laufradbefestigung	Impeller fixation	JP47046
⑩	Trennflansch B6 C3, C4, C7 C6	Partition flange	JP47125 JP47126 JP47127
⑪	Gleitringdichtung	Mechanical seal	JP47114
⑫	Gleitringdichtung	Mechanical seal	JP47115
⑬	Laufrad 200/2 B6 300/2 B6 150/4 C3 151/4 C3, 230/4 C3, 230/4 C7 231/4 C4, 300/4 C4, 300/4 C7 150/4 C6 151/4 C6, 230/4 C6 231/4 C6, 300/4 C6	Impeller	JP47117 JP47118 JP47119 JP47120 JP47121 JP47122 JP47123 JP47124
⑭	Dichtungssatz	Seal set	JP47099
⑮	Pumpengehäuse B6 C3, C4 C6 C7	Pump casing	JP47101 JP47102 JP47103 JP47104
⑯	Schraubensatz	Screw set	JP47098
⑰	Schleißring 150/4 C3 151/4 C3, 230/4 C3, C4, C7 B6 C6	Wear ring	JP47105 JP47106 JP47074 JP48108
⑱	1l Öl	1l Oil	JP48236