

**U3 SPEZIAL**  
DRAINAGE PUMPS



- For saline solutions up to 15 % salinity
- Cooling jacket for motor housing
- Low level pumping by detachable strainer base
- Flushing device activatable and deactivatable
- Variable discharge branch with closable ventilation
- Safe to run dry
- EIP Technology
- SiC mechanical seal
- Moisture sealed cable inlet

**DESCRIPTION**

The U3 K(S) special is a variant of the U3 K(S) designed to pump aggressive media such as brine from water softeners, brackish water, condensate from gas condensing boilers, silage liquid, whey or liquid fertilizer.

Residential grey water from dish washers or washing machines (even boil wash program) or outdoor applications like drainage or rainwater can easily be handled by this pump.

Depending on the application it can be used either in a fix installation or as a mobile pump. For fix installations the pump can be combined with existing sumps but also with a variety of our chemically resistant tanks.

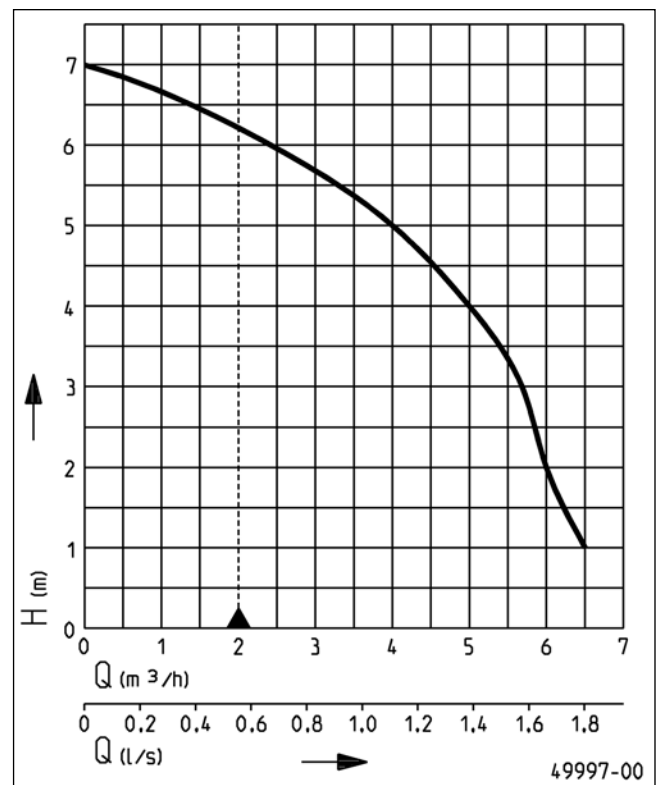
Aggressive media are not precisely specified and occur in countless different compositions. In order to provide reliability and warranty, please contact our technical support for consultancy.

The U3 K(S) special provides the same technical features like the standard model U3 K(S). Guide rail systems offer the advantages of quick and easy maintenance. The Easyfix installation sets are particularly convenient. They are pre-assembled ready to plug in and can be installed as single or duplex systems.

Despite its high range of possible applications, the U3 K(S) special must not be used to pump effluent containing faeces or wastewater from urinal systems.

If submersible pumps are being used outdoors, the mandatory minimum length of the power cord is 10m. This is a directive from the VDE regulation 0100.

**PERFORMANCE**



Type	Delivery head H [m]	1	2	3	4	5	6
U3K spezial/U3KS spezial	Flow rate Q [m³/h]	6.5	6.0	5.7	5.0	4.0	2.4

Specifications can be changed without notice. Performance subject to ISO 9906 tolerances. The minimum flow velocity in the pressure piping must be 0.7 m/s according to EN 12056. This data is represented in the performance curve as a limit of application.



### SCOPE OF SUPPLY

Pump ready for connection acc. to EN 12050 with 90°, 1/4" female connection elbow, cable and plug, S model with automatic level float switch.

### MECHANICAL DATA

Pump	Vertical single-stage	Run dry protection	Yes
Free passage	10 mm	Shaft	Stainless steel
Bearing	Ball bearings, grease-lubricated	Impeller	Vortex impeller, GFK
Seal on motor side	Rotary shaft seal	Motor housing	Stainless steel
Oil chamber	Yes	Pump housing	GRP
Seal on medium side	SiC mechanical seal	Submersible	Yes
		Pressure outlet	1 1/4"

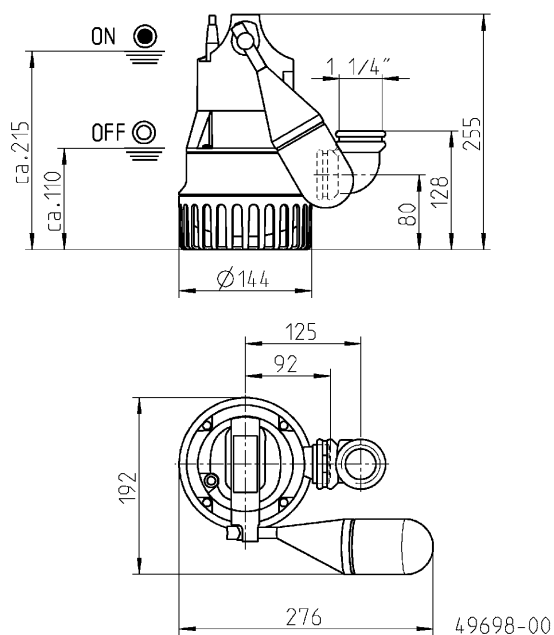
### ELECTRICAL DATA

Voltage	1/N/PE~230 V	Type of enclosure	IP 68
Motor rating P1	0.32 kW	Insulation class	B
Motor rating P2	0.22 kW	Winding thermostat	Yes
Current	1.4 A	Motor protection	Integrated
Wires	3G1,0	Plug	Safety

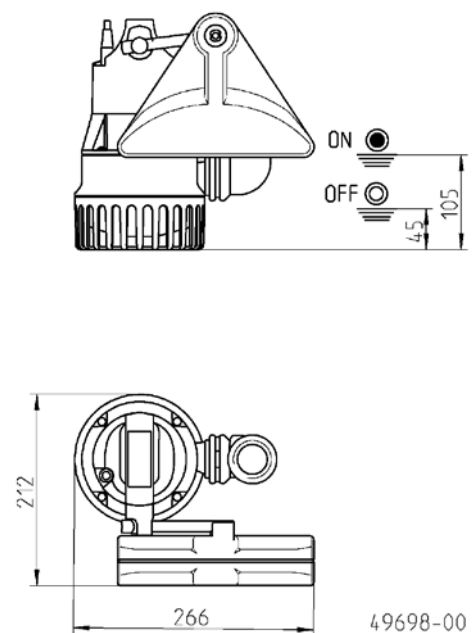
### U3 SPEZIAL

Type	Code No.	Power line	Weight
<b>Without level control</b>			
U3K spezial, 10 m cable	<b>JP50007</b>	10m H07RN-F	4.1 kg
<b>With built-in level control</b>			
U3KS spezial, 4 m cable	<b>JP50005</b>	4m H07RN-F	3.7 kg
U3KS spezial, 10 m cable	<b>JP50006</b>	10m H07RN-F	4.4 kg

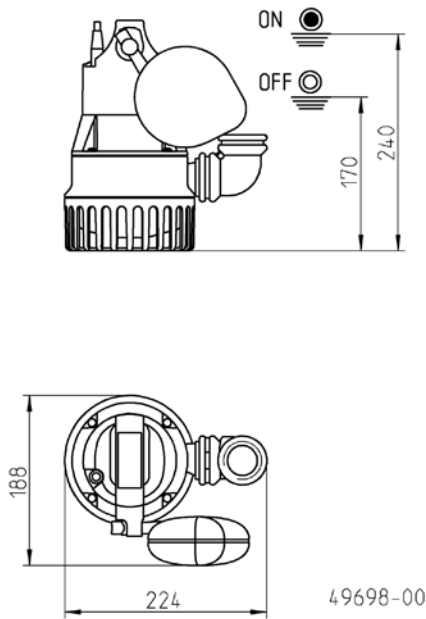
### Dimensions and switching points U3KS spec. (mm)



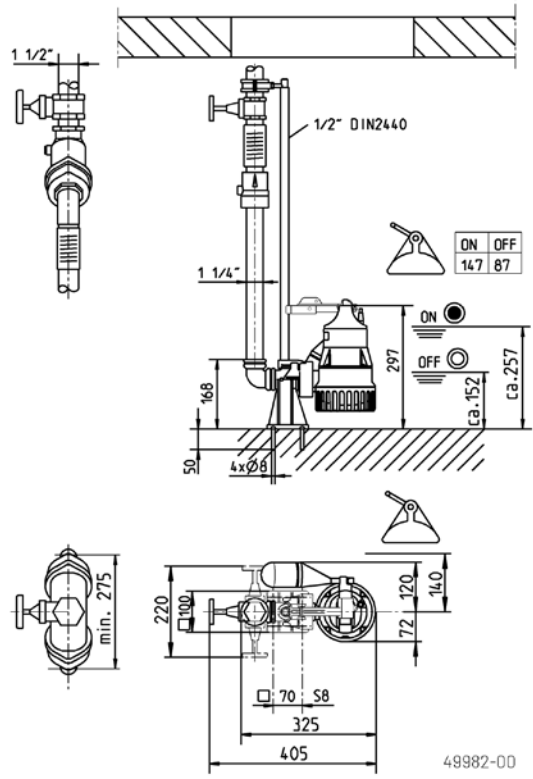
### Dimensions and switching points special float (mm)



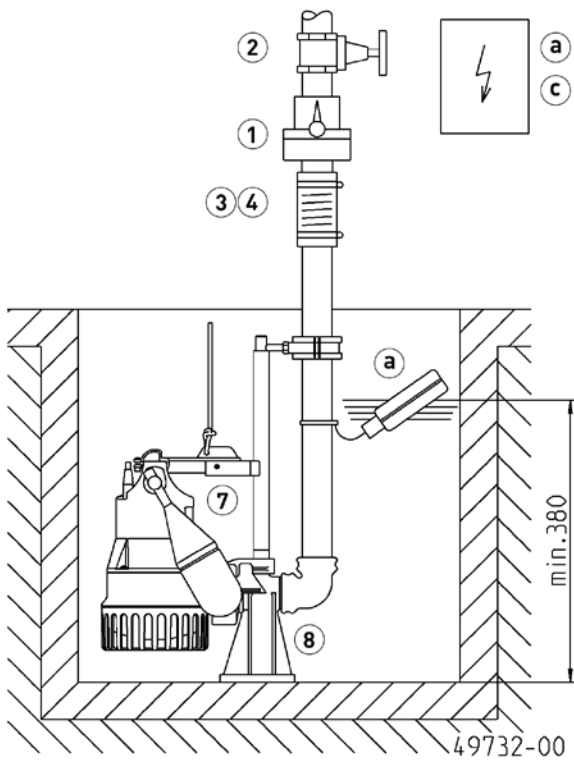
### Dimensions and switching points special float (mm)



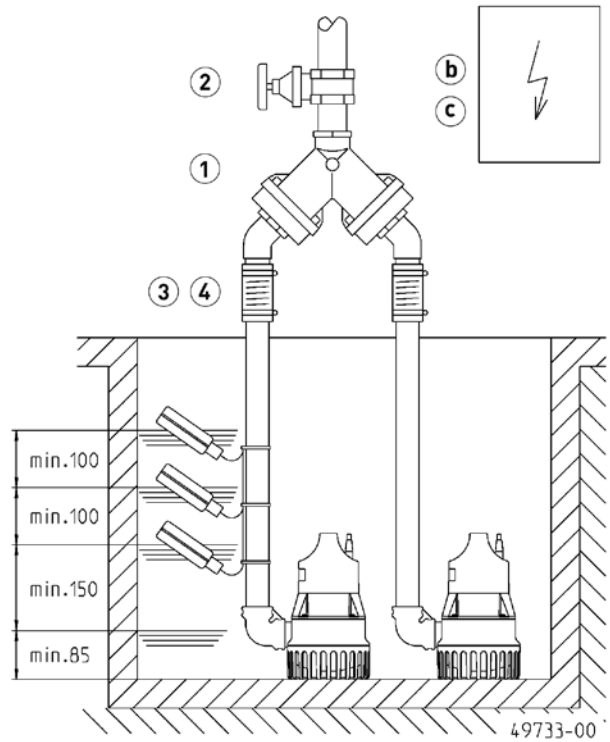
### Dimensions GR (mm)



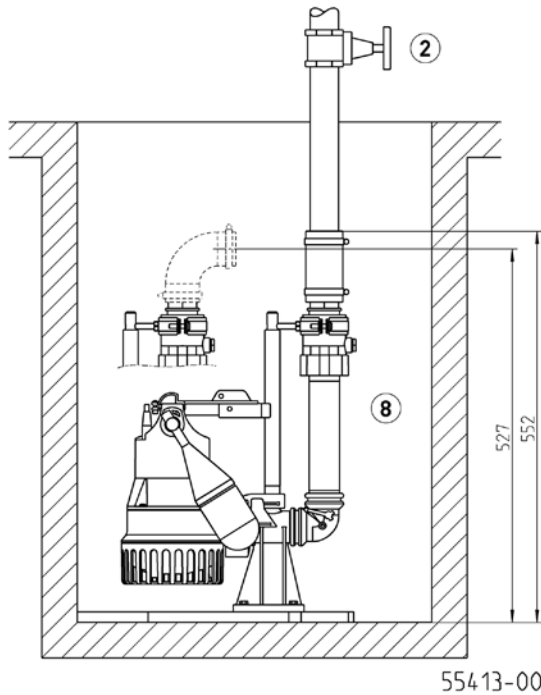
### Example of single pump installation with GR



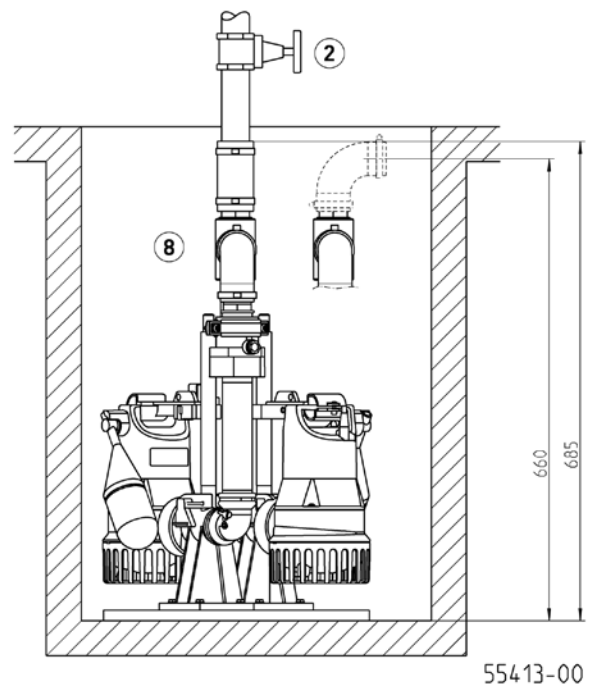
### Example of duplex installation



**Example of installation and dimensions Easyfix 32 Single (mm)**



**Example of installation and dimensions Easyfix 32 Duo (mm)**



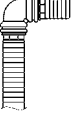
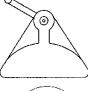







Single unit with GR: sump area min. 40x50 cm or Ø 50 cm  
 Single unit without GR: sump area min. 40x40 cm or Ø 40 cm  
 Duplex unit with GR: sump area min. 50x50 cm, Ø 60 cm  
 Duplex unit without GR: sump area min. 50x50, Ø 55 cm  
 Single unit Easyfix 32 Single: sump min. 30x40 cm, Ø 40 cm  
 Duplex unit Easyfix 32 Duo: sump min. 45x40 cm, Ø 55 cm  
 Duplex unit Easyfix 32 Duo with special float: sump min. 50x50 cm Ø 70 cm

In case of installation beneath the backpressure level the pressure tube must be taken in a loop over the local backup level acc. to EN 12056. Besides, it must be secured with an EN 12050-4-proofed swing-type check valve. Additionally we recommend an alarm system.  
 In accordance with EN 12056-4 section 5.1, it has a built-in automatic spare pump or a double attachment included, which ensures that sewage drainage is not interrupted.  
 Suspend control unit in a dry room

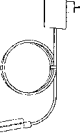




**MECHANICAL ACCESSORY**

				<b>Code No.</b>
	<b>① Swing-type check valve</b>			
	R32 EN 12050-4	1¼" (DN 32), PN 4	90x90 (HxB)	<b>JP09739</b>
	DR 40 EN 12050-4	1½" (DN 40), PN 4	200x280 (HxB)	<b>JP09155</b>
	Rupper flap DN32	for transportable use	35x35 (HxB)	<b>JP50774</b>
	<b>② Stop valve</b>	1¼" (DN 32), PN 16	110x60 (HxB)	<b>JP44785</b>
		brass, 1½" (DN 40), PN 16	125x60 (HxB)	<b>JP44786</b>
	Ball valve	1¼", PVC, for aggressive media	105x155 (HxB)	<b>JP46111</b>
	<b>③ Elastic connection</b>	1¼" (DN 32), PN 3	100x42 (HxD)	<b>JP44773</b>
	<b>④ Hose band clamp</b>	1¼"		<b>JP44765</b>
	<b>⑤ Hose coupling</b>			
	Hose coupling	1¼" (DN 32) brass, for transportable use		<b>JP00327</b>
	House connection	1¼" - 38/32/25		<b>JP44209</b>

**MECHANICAL ACCESSORY**

			Code No.
	<b>6</b> Hose set	1 1/4" (DN32), 15 m PVC hose c/w elbow	JP43550
	<b>7</b> Special float	for lower switching points	JP44795
		for narrow chambers (mind. 30x30 od Ø30 cm)	JP40856
	Float fixation	for continuous pump operation	JP42175
	<b>8</b> Guide rail system	GR 32	JP44000
	Support for guide rail extension	ex 2 m sump depth, per m 1 piece	JP28314
	Easyfix 32 Single	ready-to-connect installation set	JP50308
	Easyfix 32 Duo	ready-to-connect installation set with control unit for duplex units	JP50307
	<b>9</b> Connection kit	DN 32, with telescopable pressure pipe 30-90 cm	JP44609

**ELECTRICAL ACCESSORY**

			Code No.
	<b>a</b> Alarm unit		
	AG3	subm. ball contact switch, mains dependent, potential-free contact, 3 m cable	JP44891
	AG10	subm. ball contact switch, mains dependent, potential-free contact, 9.5 m cable	JP44892
	<b>Washing machine stop</b>		
	AW3	subm. ball contact switch, mains dependent, 3 m cable	JP44895
	<b>b</b> Control for duplex units		
	Control unit HIGHLOGO 2-00 E	230 V	JP47996
	Control unit BD 00 E	230 V, for pumps U3-U6, US 62-105, UV3, UV 300, 08/2 ME	JP45735
	<b>Level control</b>		
	Subm. switch pack B	3 subm. ball contact switch with 9.5 m and fixing devices	JP16725
	Subm. switch pack BmG	3 subm. ball contact switch with 9.5 m and counterweight	JP16726
	<b>c</b> Rechargeable battery	9 V, for mains independent alarm	JP44850
	<b>d</b> Smart Home	FTJP radio transmitter	JP47209