

Installation, Operation and Maintenance Manual DrainMajor Range

DrainMajor 30 (240V) Part No 120	SECTION 1
DrainMajor 30 SL (240V) Part No 122	SECTION 2
DrainMajor 60 (240V) Part No 131	SECTION 3
DrainMajor 60 (3ph) Part No 132	SECTION 4
DrainMajor 730 (240V) Part No 140	SECTION 5
DrainMajor 730 (3ph) Part No 141	SECTION 6
DrainMajor 730 HES (240V) Part No 142	SECTION 7
DrainMajor 1030 (240V) Part No 152	SECTION 8
DrainMajor 1030 (3ph) Part No 154	SECTION 9
DrainMajor 1030 HES (240V) Part No 153	SECTION 10

INSTALLATION GUIDELINES:

The DrainMajor should be positioned on a firm level surface. The unit must be located lower than the outflow of the appliances served so as to provide a gravity fall into the unit. ***It is extremely important to site the DrainMajor with access in mind in the event of maintenance being required.***

ON DELIVERY:

Remove lid, check pump is correctly positioned and connecting pipework has not been damaged in transit.

INLET CONNECTIONS:

Inlets can be positioned on the DrainMajor to suit your site requirements. All inverts should be brought into the tank (using tank connectors) at the highest possible level from the floor. *(See technical info on each product for minimum invert level)*

Ensure that the inflow of water is not directed onto the float mechanism

NOTE:

No connections to be put through the lid as this inhibits easy removal of the lid for cleaning tank. (Note: tank MUST be positioned in such a way that lid can be removed easily to allow access to tank interior and pump cleaning)

DISCHARGE CONNECTION:

The tank has a 1.1/2" BSP male thread discharge outlet. (NRV supplied is female thread). Brass non return valve supplied in the horizontal position, we recommend that this is fitted in the vertical position on the first lift. All pipework must be run in UPVC solvent weld.

IMPORTANT:

Any bends in the rising main must be slow radius swept 90's. If the discharge pipework connects to a soil stack, manhole, etc. below the discharge outlet of the tank, an anti syphon valve must be fitted to the highest point of the discharge pipework.

COMBINATION OVEN:

For use with a combination oven a tundish would need to be installed on the inlet. This will stop the hot water within the pipework changing the cooking times.

ELECTRICAL CONNECTION:

A qualified person in accordance with the Institute Of Electrical Engineers Regulations should connect the unit to the appropriate mains supply taking into account all the electrical information provided.

IMPORTANT:

All pump systems must be used with an appropriate motor rated protection device.

Units require venting. If vent to atmosphere cannot be achieved a 1.1/4" vent pipe must be run off the side of the tank to the ceiling void and connected to a Charcovent.(2" pipe for Microvent, hot water)

MAINTENANCE:

Before any inspection or maintenance please ensure the power supply is turned off. The collecting tank should be inspected at least every 4 weeks. All debris, fats and grease should be removed.

Maintenance every 6 to 12 months depending upon the nature of the application is recommended.

For scheduled inspection / cleaning and maintenance please call Pump Technology Services Ltd. (Direct Line)

Tel 0118 3385 724

Email

team@pumptechnologyservices.co.uk

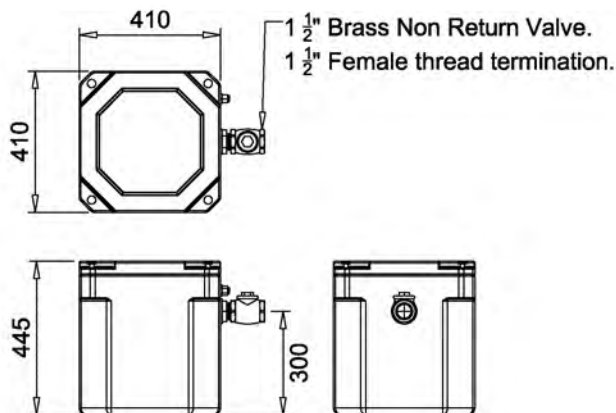
DRAINMAJOR 30 (240V)
(Wastewater Pumping System)


DrainMajor 30 (240V) Part No.120
 (Wastewater Pumping System.)

General Description:

DrainMajor 30 (240V) features a heavy-duty tank and submersible pump for automatically pumping wastewater from kitchens, teapoints, etc.

Dimensions mm


Tank:

Manufactured from recyclable polyethylene and fully rigged with internal pipe work and non-return valve. The lid is held in place with easy-to-remove hand screws and sits on a custom moulded, fitted rubber seal.

Tank Volume: 74.8 litres

Total Approximate Usable Volume - 49.8 litres

Tank Inlets:

To suit site layout, all inverts should be brought into the side of the tank by drilling a hole and using an appropriate tank connector. Minimum invert height 110 mm.

Tank Outlet:

Fitted 1 1/2" BSP male thread discharge outlet (NRV supplied female thread)

Tank Venting:

To suit site layout, a vent should be taken from the side of the tank by drilling a hole and using an appropriate tank connector. Vent pipe should be 1 1/4" min. to air or via a Pump Technology MicroVent.

Good for the Environment:

DrainMajor tanks are made from Recyclable Polyethylene.

Recycling polyethylene is highly cost effective and therefore successful. It is greener than incineration, far more eco-friendly than landfill disposal and easier to use when manufacturing products such as toys, recycling bins, envelopes and much more.

Pump Technology Ltd. - 0118 9821 555 - www.pumptechnology.co.uk

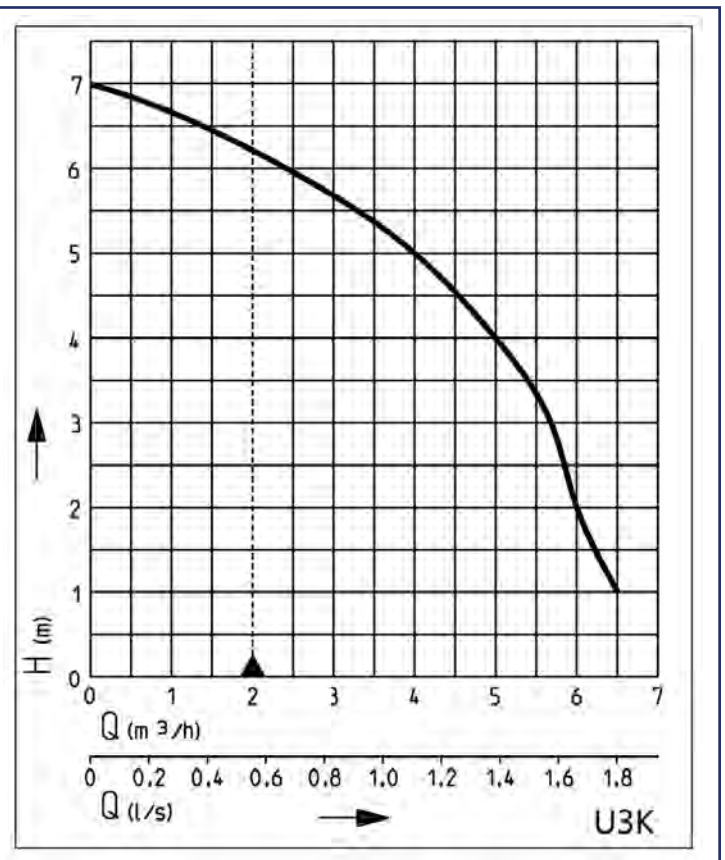
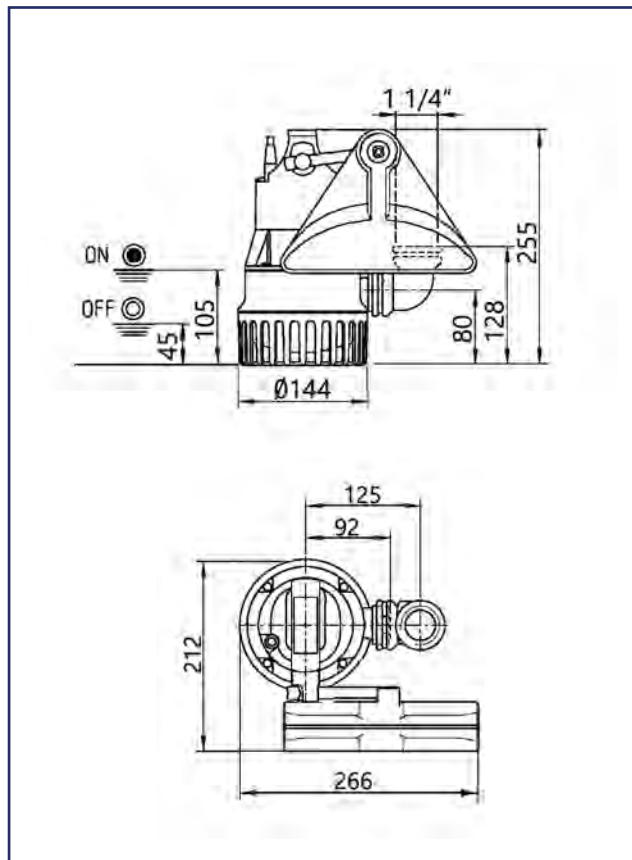
PUMP[®] DATA SHEET **DRAINMAJOR 30 (240V)** (Wastewater Pumping System)

Pump:

- Cooling jacket for motor housing
- Flushing device activatable and deactivatable
- Variable discharge branch with closable ventilation
- Run dry protection
- EIP Technology
- Moisture sealed cable inlet
- Fluid temperature 35 °C, temporarily 60 °C (10 min.)

**Description:**

The heavy duty centrifugal submersible drainage pump U3K is suitable for dealing with wastewater and capable of handling soft solids up to 10mm in particle size.

Dimensions/switching points U3K (mm)

Pump Technology Ltd. - 0118 9821 555 - www.pumptechnology.co.uk

Official Distributor and Stockist Authorised by Jung Pumpen GmbH



2 of 3

PUMP[®] DATA SHEET **DRAINMAJOR 30 (240V)** (Wastewater Pumping System)

TECHNOLOGY LTD

Scope of Supply

Pump ready for connection acc. to EN 12050 with 90°, 1¼" female connection elbow, 4m cable and automatic level float switch.

Mechanical Data

Pump	Vertical single stage	Run dry protection	Yes
Free Passage	10 mm	Shaft	Stainless Steel
Bearing	Ball bearing, grease-lubricated	Impeller	Vortex impeller, GFK
Seal on motor side	Rotary shaft seal	Motor housing	Stainless Steel
Oil chamber	Yes	Pump housing	GRP
Seal on medium side	2-fold rotary shaft seal	Submersible	Yes
		Pressure outlet	1¼"

Electrical Data

Voltage	1/N/PE-230V	Insulation class	F
Motor rating P1	0.32kW	Winding thermostat	Yes
Motor rating P2	0.2kW	Motor protection	Integrated
Current	1.4A	Plug	Safety
Type of enclosure	IP 68		

U3

Type	Code No.	Power line	Wires	Weight
With built-in level control				
U3 KS, 4m cable	JP50000	4m H07RN-F	3G1,0	5.5kg

Notes:

- This unit is for wastewater only
- Ensure the location of the DrainMajor enables the lid to be easily removed for regular inspection and maintenance
- If the discharge pipework connection to a soil stack, manhole etc. is below the discharge outlet of the tank, an anti-syphon unit must be fitted at the highest point of the discharge pipework
- Warranty: The DrainMajor 30 (240V) comes complete with a one year warranty.

Pump Technology Ltd. - 0118 9821 555 - www.pumptechnology.co.uk

Official Distributor and Stockist Authorised by Jung Pumpen GmbH



3 of 3

Pump Technology Ltd. reserves the right to change the specification without prior notice.

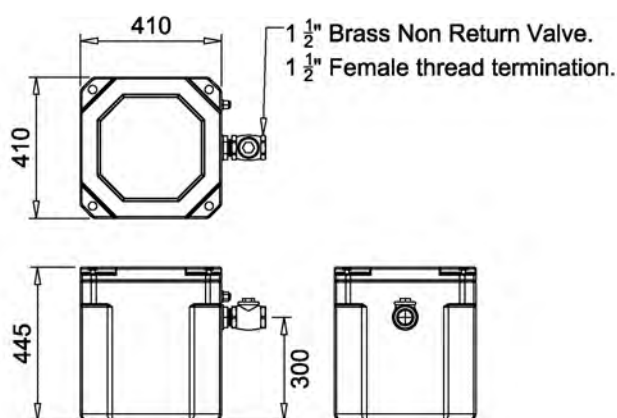
DRAINMAJOR 30 SL (240V)
(Wastewater Pumping System)


DrainMajor 30 SL Part No 122
 (Wastewater Pumping System. Ideal for
 wastewater containing mildly corrosive chemicals.
 20 parts per million concentration)

General Description:

DrainMajor 30 SL features a heavy-duty tank and submersible pump for automatically pumping wastewater. This small pump features a shaft mechanical seal rather than lip seals, therefore it is suitable for applications like - Laboratories, vets, dentists, hairdresser, janitor sinks and coffee shops where excess coffee granules and milk skin is being washed down a sink.

Dimensions mm


Tank:

Manufactured from recyclable polyethylene and fully rigged with internal pipe work and non-return valve. The lid is held in place with easy-to-remove hand screws and sits on a custom moulded, fitted rubber seal.

Tank Volume: 74.8 litres

Total Approximate Usable Volume - 49.8 litres

Tank Inlets:

To suit site layout, all inverts should be brought into the side of the tank by drilling a hole and using an appropriate tank connector. Minimum invert height 110 mm.

Tank Outlet:

Fitted 1 1/2" BSP male thread discharge outlet (NRV supplied female thread)

Tank Venting:

To suit site layout, a vent should be taken from the side of the tank by drilling a hole and using an appropriate tank connector. Vent pipe should be 1 1/4" min. to air or via a Pump Technology MicroVent.

Good for the Environment:


DrainMajor tanks are made from Recyclable Polyethylene.

Recycling polyethylene is highly cost effective and therefore successful. It is greener than incineration, far more eco-friendly than landfill disposal and easier to use when manufacturing products such as toys, recycling bins, envelopes and much more.

Pump Technology Ltd. - 0118 9821 555 - www.pumptechnology.co.uk

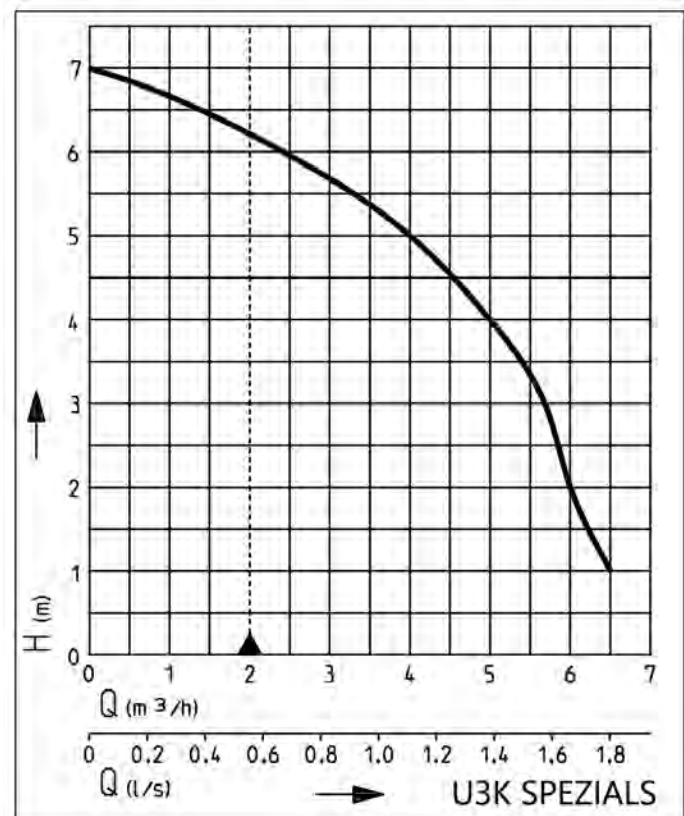
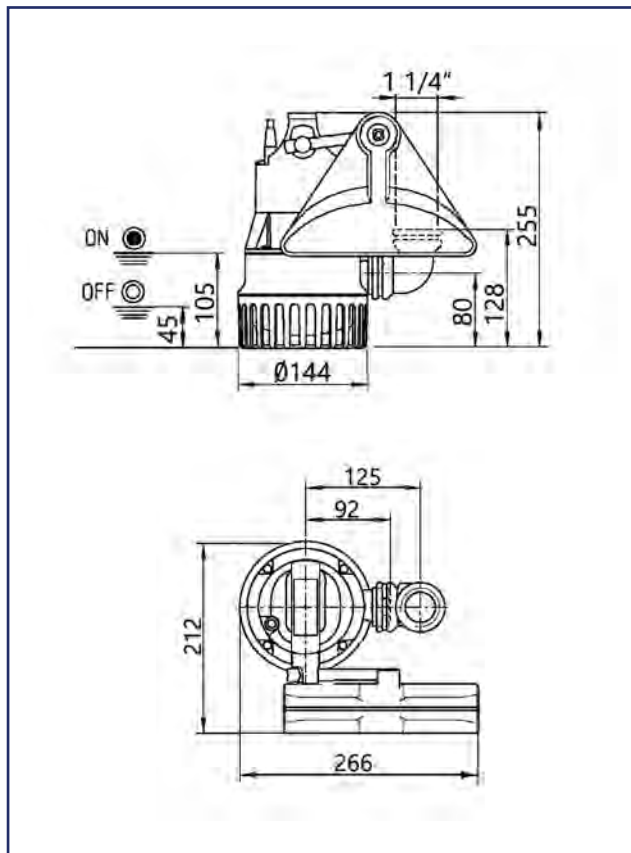
Pump:

- For saline solutions up to 15% salinity
- SiC mechanical seal
- Cooling jacket for motor housing
- Flushing device activatable and deactivatable
- Variable discharge branch with closable ventilation
- Run dry protection
- EIP Technology
- Moisture sealed cable inlet
- Fluid temperature 35°C, temporarily 60°C (10 mins)

**Description:**

The heavy duty centrifugal submersible drainage pump U3K SPEZIAL is suitable for dealing with wastewater and capable of handling soft solids up to 10mm in particle size.

The U3K SPEZIAL is a variant of the U3K (with Mechanical shaft seal) and designed to pump wastewater containing mildly corrosive chemicals, 20 parts per million concentration.

Dimensions/switching points U3 KS (mm)

Scope of Supply

Pump ready for connection acc. to EN 12050 with 90°, 1¼" female connection elbow, 4m cable and automatic level float switch.

Mechanical Data

Pump	Vertical single stage	Run dry protection	Yes
Free Passage	10 mm	Shaft	Stainless Steel
Bearing	Ball bearing, grease-lubricated	Impeller	Vortex impeller, GFK
Seal on motor side	Rotary shaft seal	Motor housing	Stainless Steel
Oil chamber	Yes	Pump housing	GRP
Seal on medium side	SiC mechanical seal	Submersible	Yes
		Pressure outlet	1¼"

Electrical Data

Voltage	1/N/PE-230V	Type of enclosure	IP 68
Motor rating P1	0.32kW	Insulation class	B
Motor rating P2	0.2kW	Winding thermostat	Yes
Current	1.4A	Motor protection	Integrated
Type of enclosure	3G1,0	Plug	Safety

U3 SPEZIAL

Type	Code No.	Power line	Weight
With built-in level control			
U3 KS spezial, 4m cable	JP50005	4m H07RN-F	3.7kg

Notes:

- This unit is for wastewater only
- Ensure the location of the DrainMajor enables the lid to be easily removed for regular inspection and maintenance
- If the discharge pipework connection to a soil stack, manhole etc. is below the discharge outlet of the tank, an anti-syphon unit must be fitted at the highest point of the discharge pipework
- Warranty: The DrainMajor 30 SL (240V) comes complete with a one year warranty.

Pump Technology Ltd. - 0118 9821 555 - www.pumptechnology.co.uk

Official Distributor and Stockist Authorised by Jung Pumpen GmbH



3 of 3

Pump Technology Ltd. reserves the right to change the specification without prior notice.

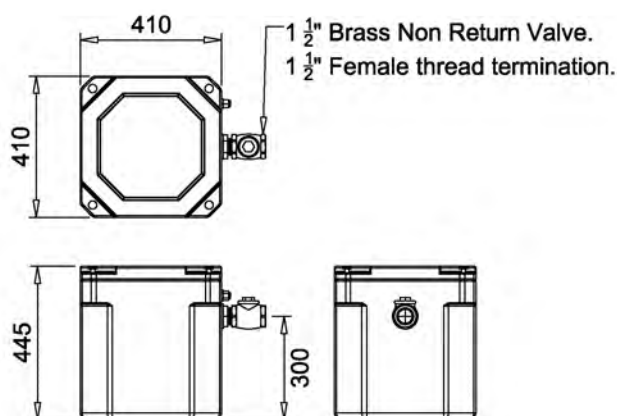
DRAINMAJOR 60 (240V)
(Wastewater Pumping System)


DrainMajor 60 (240V) Part No.131
 (Wastewater Pumping System.)

General Description:

DrainMajor 60 (240V) features a heavy-duty tank and submersible pump for automatically pumping wastewater from commercial kitchens, teapoints, etc.

Dimensions mm


Tank:

Manufactured from recyclable polyethylene and fully rigged with internal pipe work and non-return valve. The lid is held in place with easy-to-remove hand screws and sits on a custom moulded, fitted rubber seal.

Tank Volume: 74.8 litres

Total Approximate Usable Volume - 49.8 litres

Tank Inlets:

To suit site layout, all inverts should be brought into the side of the tank by drilling a hole and using an appropriate tank connector. Minimum invert height 120 mm.

Tank Outlet:

Fitted 1 1/2" BSP male thread discharge outlet (NRV supplied female thread)

Tank Venting:

To suit site layout, a vent should be taken from the side of the tank by drilling a hole and using an appropriate tank connector. Vent pipe should be 1 1/4" min. to air or via a Pump Technology MicroVent.

Good for the Environment:


DrainMajor tanks are made from Recyclable Polyethylene.

Recycling polyethylene is highly cost effective and therefore successful. It is greener than incineration, far more eco-friendly than landfill disposal and easier to use when manufacturing products such as toys, recycling bins, envelopes and much more.

Pump Technology Ltd. - 0118 9821 555 - www.pumptechnology.co.uk

Official Distributor and Stockist Authorised by Jung Pumpen GmbH



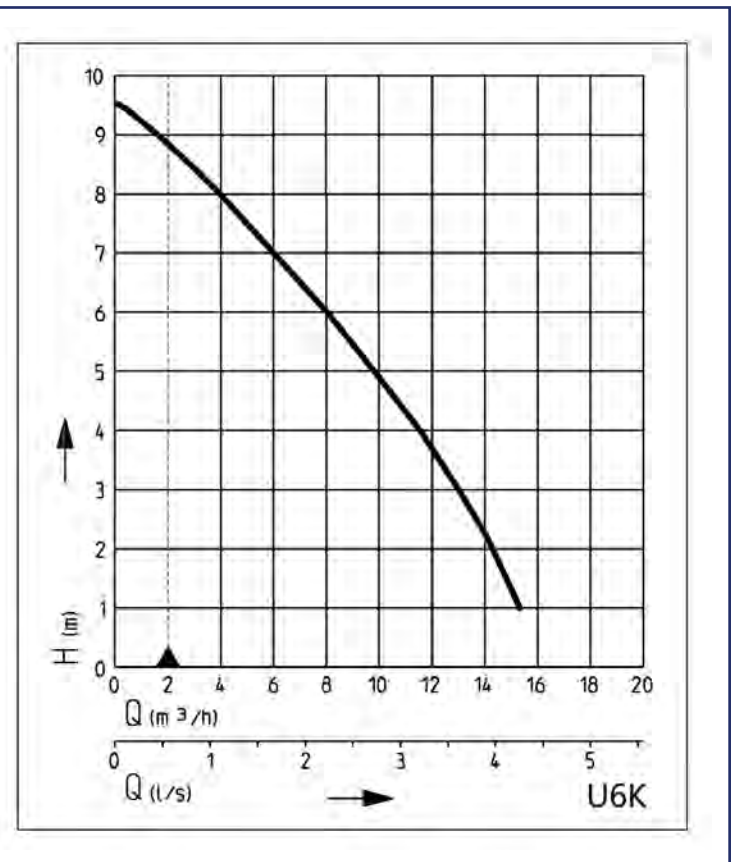
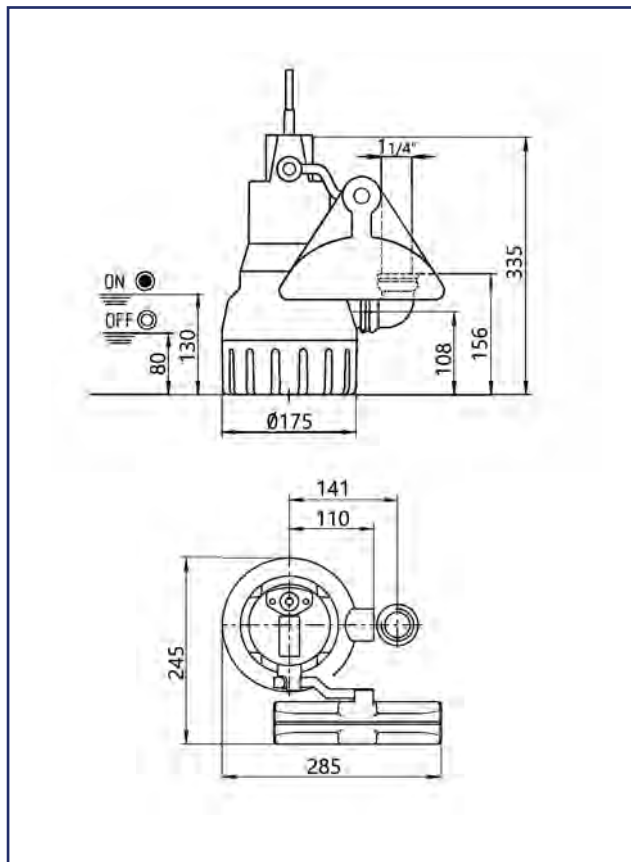
1 of 3

Pump:

- Safe to run dry
- 10 mm free passage with EIP technology
- Cooling jacket for motor housing
- SiC mechanical seal independent of sense of rotation
- Replaceable moisture sealed cable inlet
- Flushing device
- Fluid temperature 35°C, temporarily 60°C (10 mins)

**Description:**

The heavy duty centrifugal submersible drainage pump U6K ES is suitable for dealing with wastewater and capable of handling soft solids up to 10mm in particle size.

Dimensions/switching points U6K ES (mm)

PUMP[®] DATA SHEET **DRAINMAJOR 60 (240V)** (Wastewater Pumping System)

TECHNOLOGY LTD

Scope of Supply

Pump ready for connection acc. to EN 12050 with 90°, 1¼" female connection elbow, 4m cable with automatic level float switch.

Mechanical Data

Pump	Vertical single stage	Run dry protection	Yes
Free Passage	10 mm	Shaft	Stainless Steel
Bearing	Ball bearing, grease-lubricated	Impeller	Vortex impeller, GFK
Seal on motor side	Rotary shaft seal	Motor Housing	Stainless Steel
Oil chamber	Yes	Submersible	Yes
Seal on medium side	SiC mechanical seal	Pressure outlet	1¼"

Electrical Data

Motor Rating P1	0.75kW	Winding thermostat	Yes
Type of enclosure	IP 68	Motor protection	Integrated
Insulation Class	B		

U6K ES

Type	Code No.	Voltage	Motor rating P2	Current	Power line	Wires	Plug	Weight
With built-in level control								
U6K ES, 4m cable	JP00227	1/N/PE-230V	0.50kW	3.3A	4m H07RN-F	3G1,0	Safety	5.5kg

Notes:

- This unit is for wastewater only
- Ensure the location of the DrainMajor enables the lid to be easily removed for regular inspection and maintenance
- If the discharge pipework connection to a soil stack, manhole etc. is below the discharge outlet of the tank, an anti-syphon unit must be fitted at the highest point of the discharge pipework
- Warranty: The DrainMajor 60 (240V) comes complete with a one year warranty.

Pump Technology Ltd. - 0118 9821 555 - www.pumptechnology.co.uk

Official Distributor and Stockist Authorised by Jung Pumpen GmbH



3 of 3

Pump Technology Ltd. reserves the right to change the specification without prior notice.

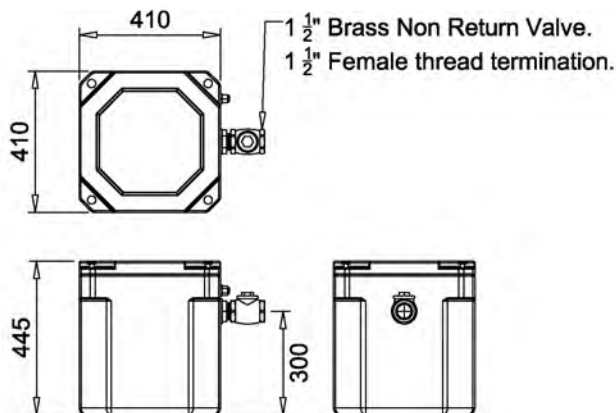
**DRAINMAJOR 60 (3ph)
 (Wastewater Pumping System)**


DrainMajor 60 (3ph) Part No.132
 (Wastewater Pumping System.)

General Description:

DrainMajor 60 (3ph) features a heavy-duty tank and submersible pump for automatically pumping wastewater from commercial kitchens, teapoints, etc.

Dimensions mm


Tank:

Manufactured from recyclable polyethylene and fully rigged with internal pipe work and non-return valve. The lid is held in place with easy-to-remove hand screws and sits on a custom moulded, fitted rubber seal.

Tank Volume: 74.8 litres

Total Approximate Usable Volume - 49.8 litres

Tank Inlets:

To suit site layout, all inverts should be brought into the side of the tank by drilling a hole and using an appropriate tank connector. Minimum invert height 120 mm.

Tank Outlet:

Fitted 1 1/2" BSP male thread discharge outlet (NRV supplied female thread)

Tank Venting:

To suit site layout, a vent should be taken from the side of the tank by drilling a hole and using an appropriate tank connector. Vent pipe should be 1 1/4" min. to air or via a Pump Technology MicroVent.

Good for the Environment:


DrainMajor tanks are made from Recyclable Polyethylene.

Recycling polyethylene is highly cost effective and therefore successful. It is greener than incineration, far more eco-friendly than landfill disposal and easier to use when manufacturing products such as toys, recycling bins, envelopes and much more.

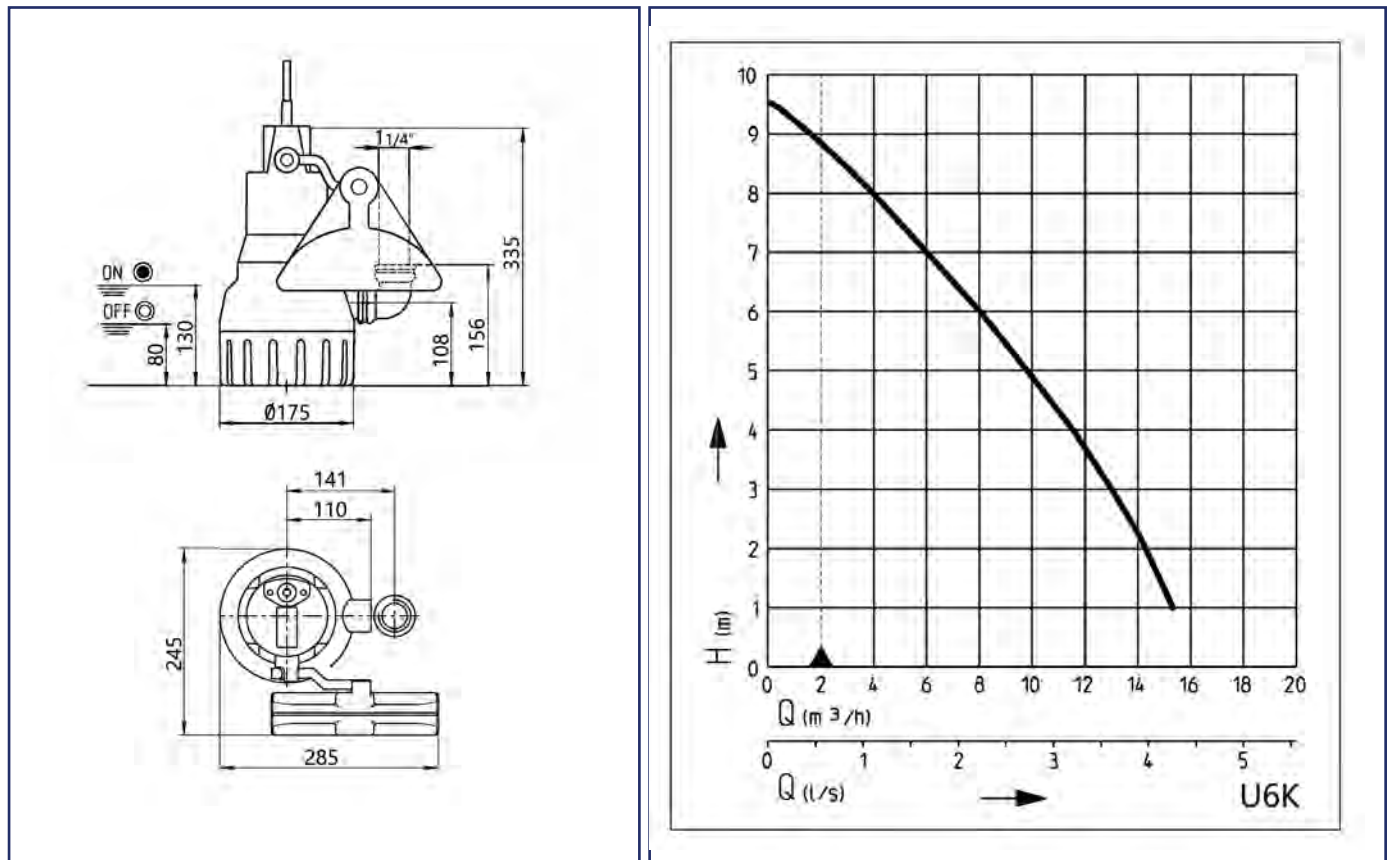
Pump Technology Ltd. - 0118 9821 555 - www.pumptechnology.co.uk

Pump:

- Safe to run dry
- 10 mm free passage with EIP technology
- Cooling jacket for motor housing
- SiC mechanical seal independent of sense of rotation
- Replaceable moisture sealed cable inlet
- Flushing device
- Fluid temperature 35°C, temporarily 60°C (10 mins)

**Description:**

The heavy duty centrifugal submersible drainage pump U6K DS is suitable for dealing with wastewater and capable of handling soft solids up to 10mm in particle size.

Dimensions/switching points U6K DS (mm)

PUMP[®] DATA SHEET **DRAINMAJOR 60 (3ph)** **TECHNOLOGY LTD** (Wastewater Pumping System)

Scope of Supply

Pump ready for connection acc. to EN 12050 with 90°, 1¼" female connection elbow, 4m cable with automatic level float switch.

Mechanical Data

Pump	Vertical single stage	Run dry protection	Yes
Free passage	10 mm	Shaft	Stainless Steel
Bearing	Ball bearing, grease-lubricated	Impeller	Vortex impeller, GFK
Seal on motor side	Rotary shaft seal	Motor housing	Stainless Steel
Oil chamber	Yes	Submersible	Yes
Seal on medium side	SiC mechanical seal	Pressure outlet	1¼"

Electrical Data

Motor rating P1	0.75kW	Winding thermostat	Yes
Type of enclosure	IP 68	Motor protection	Integrated
Insulation Class	B		

U6K ES

Type	Code No.	Voltage	Motor rating P2	Current	Power line	Wires	Plug	Weight
With built-in level control								
U6K DS, 4m cable	JP00229	3/PE-400V	0.55kW	1.3A	4m H07RN-F	4G1,0	CEE	5.9kg

Notes:

- This unit is for wastewater only
- Ensure the location of the DrainMajor enables the lid to be easily removed for regular inspection and maintenance
- If the discharge pipework connection to a soil stack, manhole etc. is below the discharge outlet of the tank, an anti-syphon unit must be fitted at the highest point of the discharge pipework
- Warranty: The DrainMajor 60 (3ph) comes complete with a one year warranty.

Pump Technology Ltd. - 0118 9821 555 - www.pumptechnology.co.uk

Official Distributor and Stockist Authorised by Jung Pumpen GmbH



3 of 3

Pump Technology Ltd. reserves the right to change the specification without prior notice.

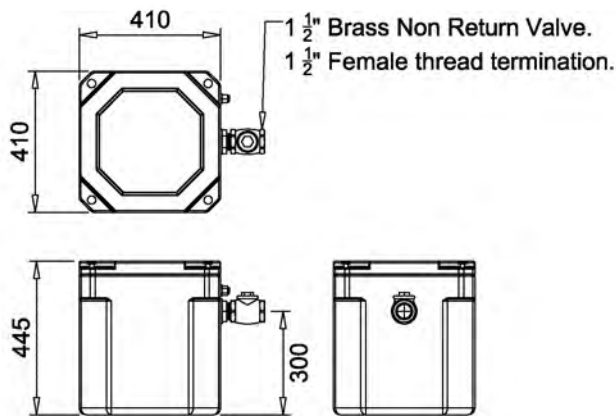
DRAINMAJOR 730 (240V)
(Wastewater Pumping System)


DrainMajor 730 (240V) Part No.140
 (Wastewater Pumping System.)

General Description:

DrainMajor 730 (240V) features a heavy-duty tank and submersible pump for automatically pumping wastewater from commercial kitchens, teapoints, etc.

Dimensions mm


Tank:

Manufactured from recyclable polyethylene and fully rigged with internal pipe work and non-return valve. The lid is held in place with easy-to-remove hand screws and sits on a custom moulded, fitted rubber seal.

Tank Volume: 74.8 litres

Total Approximate Usable Volume - 49.8 litres

Tank Inlets:

To suit site layout, all inverts should be brought into the side of the tank by drilling a hole and using an appropriate tank connector. Minimum invert height 155 mm.

Tank Outlet:

Fitted 1 1/2" BSP male thread discharge outlet (NRV supplied female thread)

Tank Venting:

To suit site layout, a vent should be taken from the side of the tank by drilling a hole and using an appropriate tank connector. Vent pipe should be 1 1/4" min. to air or via a Pump Technology MicroVent.

Good for the Environment:

DrainMajor tanks are made from Recyclable Polyethylene.

Recycling polyethylene is highly cost effective and therefore successful. It is greener than incineration, far more eco-friendly than landfill disposal and easier to use when manufacturing products such as toys, recycling bins, envelopes and much more.

Pump Technology Ltd. - 0118 9821 555 - www.pumptechnology.co.uk

PUMP[®] DATA SHEET DRAINMAJOR 730 (240V) (Wastewater Pumping System)

TECHNOLOGY LTD

Pump:

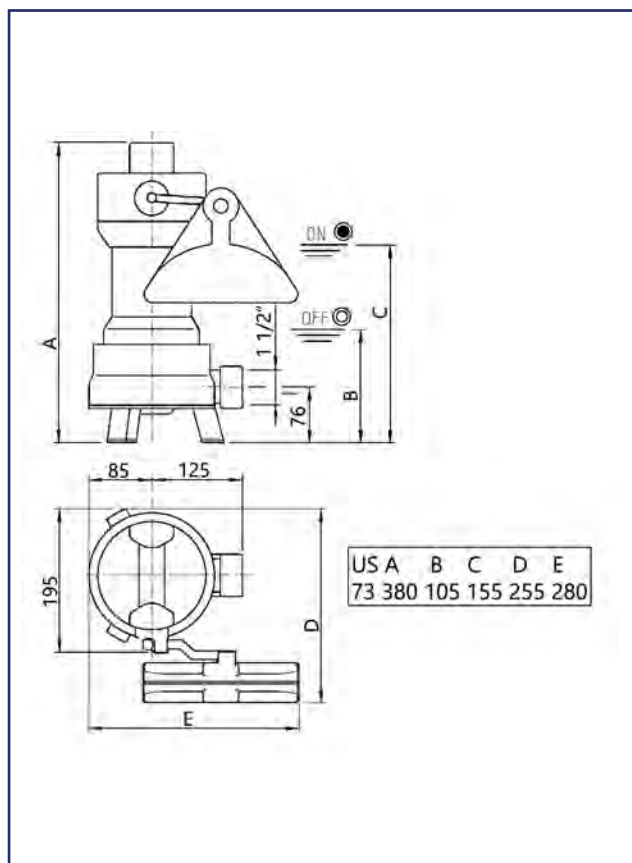
- Safe to run dry
- 30 mm free passage
- Controllable oil chamber
- SiC mechanical seal independent of sense of rotation
- Replaceable moisture sealed cable inlet
- Fluid temperature 35°C, temporarily 60°C (10 mins)

Description:

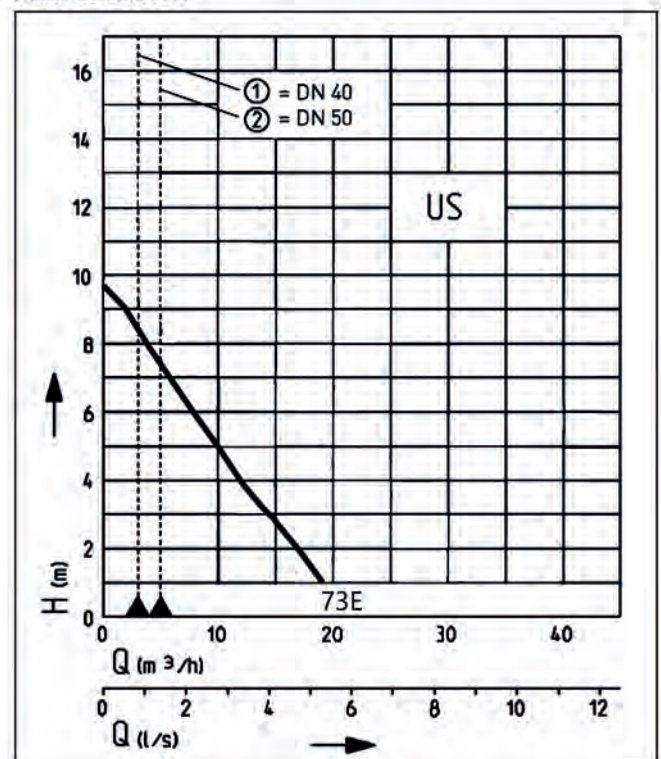
The heavy duty centrifugal submersible drainage pump US 73 ES is suitable for dealing with wastewater and capable of handling soft solids up to 30 mm particle size.



Dimensions/switching points US 73 ES (mm)



PERFORMANCE



Pump Technology Ltd. - 0118 9821 555 - www.pumptechnology.co.uk

Official Distributor and Stockist Authorised by Jung Pumpen GmbH



2 of 3

PUMP[®] DATA SHEET **DRAINMAJOR 730 (240V)** (Wastewater Pumping System)

TECHNOLOGY LTD

Scope of Supply

Pump according to DIN EN 12050 ready for connection with 4m cable and automatic level float switch.

Mechanical Data

Pump	Vertical single stage	Shaft	Stainless Steel
Bearing	Ball bearing, grease-lubricated	Impeller	Vortex impeller, GFK
Seal on motor side	Duplex rotary shaft seals	Motor housing	Edelstahl (253: Grauguss)
Oil chamber	Yes	Pump housing	Grey cast iron
Seal on medium side	SiC Mechanical seal	Submersible	Yes
Run dry protection	Yes	Pressure outlet	IG 1½" (US253:2")

Electrical Data

Power line	10m H07RN-F	Insulation class	B (253:F)
Type of enclosure	IP68	Winding thermostat	Yes

US 73 ES

Type	Code No.	Voltage	Motor rating P1	Motor rating P2	Current	Wires	Motor protection	Plug	Free passage	Weight
With built-in level control										
US 73 ES	JP00678	1/N/PE-230V	0.83kW	0.50kW	3.9A	3G1,0	Integrated	Safety	30 mm	12.5kg

Notes:

- This unit is for wastewater only
- Ensure the location of the DrainMajor enables the lid to be easily removed for regular inspection and maintenance
- If the discharge pipework connection to a soil stack, manhole etc. is below the discharge outlet of the tank, an anti-syphon unit must be fitted at the highest point of the discharge pipework
- Warranty: The DrainMajor 730 (240V) comes complete with a one year warranty.

Pump Technology Ltd. - 0118 9821 555 - www.pumptechnology.co.uk

Official Distributor and Stockist Authorised by Jung Pumpen GmbH



3 of 3

Pump Technology Ltd. reserves the right to change the specification without prior notice.

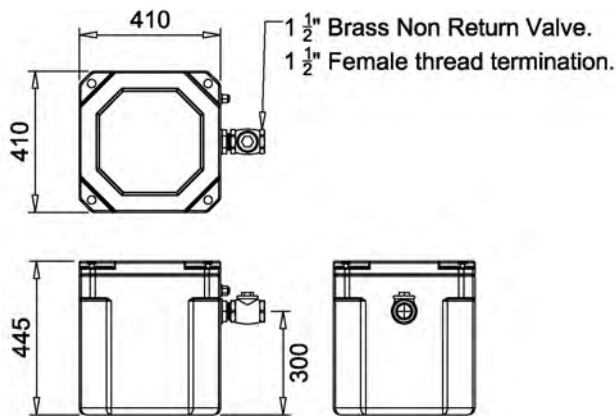
DRAINMAJOR 730 (3ph)
(Wastewater Pumping System)


DrainMajor 730 (3ph) Part No.141
 (Wastewater Pumping System.)

General Description:

DrainMajor 730 (3ph) features a heavy-duty tank and submersible pump for automatically pumping wastewater from commercial kitchens, teapoints, etc.

Dimensions mm


Tank:

Manufactured from recyclable polyethylene and fully rigged with internal pipe work and non-return valve. The lid is held in place with easy-to-remove hand screws and sits on a custom moulded, fitted rubber seal.

Tank Volume: 74.8 litres

Total Approximate Usable Volume - 49.8 litres

Tank Inlets:

To suit site layout, all inverts should be brought into the side of the tank by drilling a hole and using an appropriate tank connector. Minimum invert height 155 mm.

Tank Outlet:

Fitted 1 1/2" BSP male thread discharge outlet (NRV supplied female thread)

Tank Venting:

To suit site layout, a vent should be taken from the side of the tank by drilling a hole and using an appropriate tank connector. Vent pipe should be 1 1/4" min. to air or via a Pump Technology MicroVent.

Good for the Environment:


DrainMajor tanks are made from Recyclable Polyethylene.

Recycling polyethylene is highly cost effective and therefore successful. It is greener than incineration, far more eco-friendly than landfill disposal and easier to use when manufacturing products such as toys, recycling bins, envelopes and much more.

Pump Technology Ltd. - 0118 9821 555 - www.pumptechnology.co.uk

PUMP[®] DATA SHEET DRAINMAJOR 730 (3ph) (Wastewater Pumping System)

TECHNOLOGY LTD

Pump:

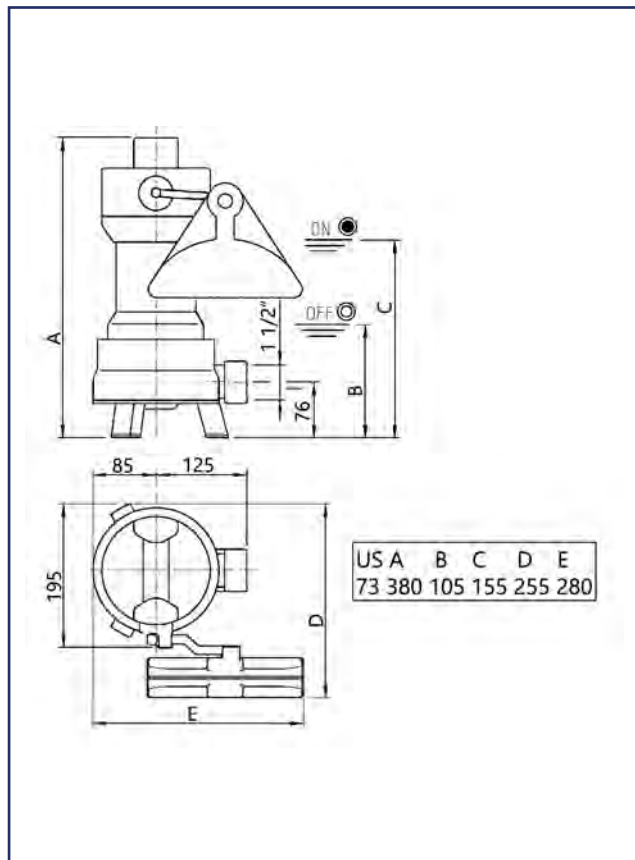
- Safe to run dry
- 30 mm free passage
- Controllable oil chamber
- SiC mechanical seal independent of sense of rotation
- Replaceable moisture sealed cable inlet
- Fluid temperature 35°C, temporarily 60°C (10 mins)

Description:

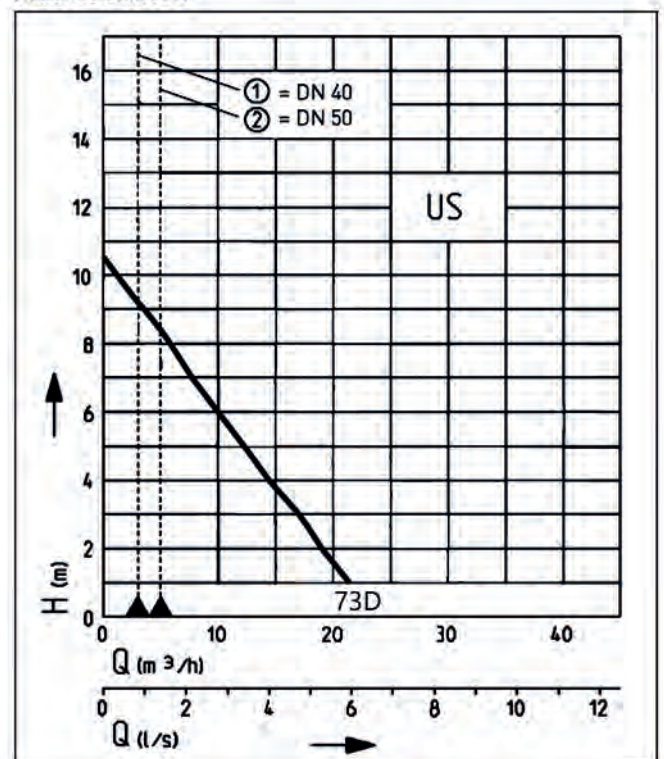
The heavy duty centrifugal submersible drainage pump US 73 DS is suitable for dealing with wastewater and capable of handling soft solids up to 30 mm particle size.



Dimensions/switching points US 73 DS (mm)



PERFORMANCE



Pump Technology Ltd. - 0118 9821 555 - www.pumptechnology.co.uk

Official Distributor and Stockist Authorised by Jung Pumpen GmbH



2 of 3

PUMP[®] DATA SHEET **DRAINMAJOR 730 (3ph)** **TECHNOLOGY LTD** (Wastewater Pumping System)

Scope of Supply

Pump according to DIN EN 12050 ready for connection with 4m cable and automatic level float switch.

Mechanical Data

Pump	Vertical single stage	Shaft	Stainless Steel
Bearing	Ball bearing, grease-lubricated	Impeller	Vortex impeller, GFK
Seal on motor side	Duplex rotary shaft seals	Motor Housing	Edelstahl (253: Grauguss)
Oil chamber	Yes	Pump Housing	Grey cast iron
Seal on medium side	SiC Mechanical seal	Submersible	Yes
Run dry protection	Yes	Pressure outlet	IG 1½" (US253:2")

Electrical Data

Power line	10m H07RN-F	Insulation class	B (253:F)
Type of enclosure	IP68	Winding thermostat	Yes

US 73 DS

Type	Code No.	Voltage	Motor rating P1	Motor rating P2	Current	Wires	Motor protection	Plug	Free passage	Weight
With built-in level control										
US 73 DS	JP00679	3/PE-400V	0.85kW	0.60kW	1.4A	4G1,0	Integrated	CEE	30 mm	13.0kg

Notes:

- This unit is for wastewater only
- Ensure the location of the DrainMajor enables the lid to be easily removed for regular inspection and maintenance
- If the discharge pipework connection to a soil stack, manhole etc. is below the discharge outlet of the tank, an anti-syphon unit must be fitted at the highest point of the discharge pipework
- Warranty: The DrainMajor 730 (3ph) comes complete with a one year warranty.

Pump Technology Ltd. - 0118 9821 555 - www.pumptechnology.co.uk

Official Distributor and Stockist Authorised by Jung Pumpen GmbH



3 of 3

Pump Technology Ltd. reserves the right to change the specification without prior notice.

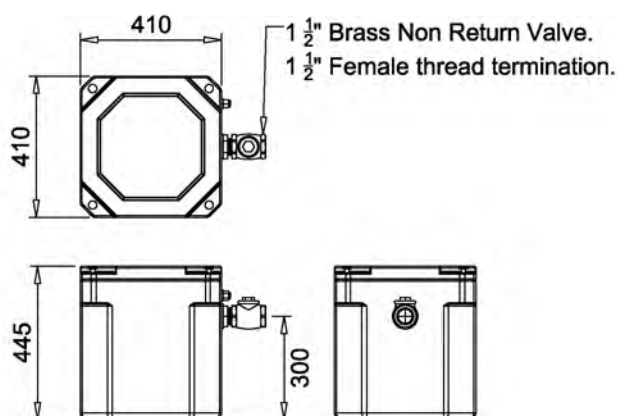
DRAINMAJOR 730 HES (240V)
(Hot Wastewater Pumping System)


DrainMajor 730 HES (240V) Part No.142
 (Hot Wastewater Pumping System. Continuously
 Rated for 90°C Hot Wastewater)

General Description:

DrainMajor 730 HES (240V) features a heavy-duty tank and submersible pump for automatically pumping "Hot Wastewater" from tea points with zip taps, commercial kitchens, sinks, dishwashers, combi ovens, pasta cookers, washing machines etc.

Dimensions mm


Tank:

Manufactured from recyclable polyethylene and fully rigged with internal pipe work and non-return valve. The lid is held in place with easy-to-remove hand screws and sits on a custom moulded, fitted rubber seal.

Tank Volume: 74.8 litres

Total Approximate Usable Volume - 49.8 litres

Tank Inlets:

To suit site layout, all inverts should be brought into the side of the tank by drilling a hole and using an appropriate tank connector. Minimum invert height 155mm.

Good for the Environment:

**DrainMajor tanks are made from
 Recyclable Polyethylene.**

Recycling polyethylene is highly cost effective and therefore successful. It is greener than incineration, far more eco-friendly than landfill disposal and easier to use when manufacturing products such as toys, recycling bins, envelopes and much more.

Tank Outlet:

Fitted 1 1/2" BSP male thread discharge outlet (NRV supplied female thread)

Tank Venting:

To suit site layout, a vent should be taken from the side of the tank by drilling a hole and using an appropriate tank connector. Vent pipe should be 2" to air or via a Pump Technology MicroVent.

Pump Technology Ltd. - 0118 9821 555 - www.pumptechnology.co.uk

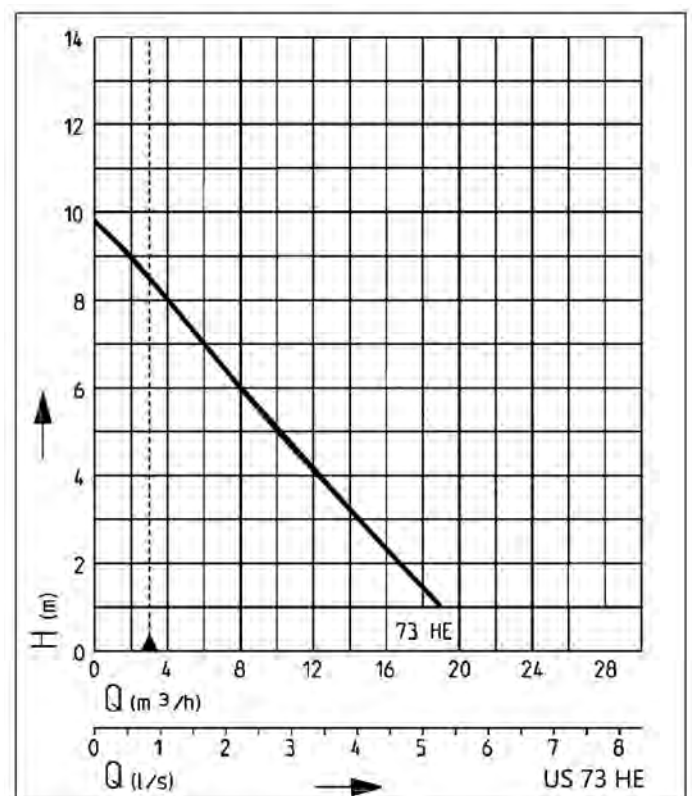
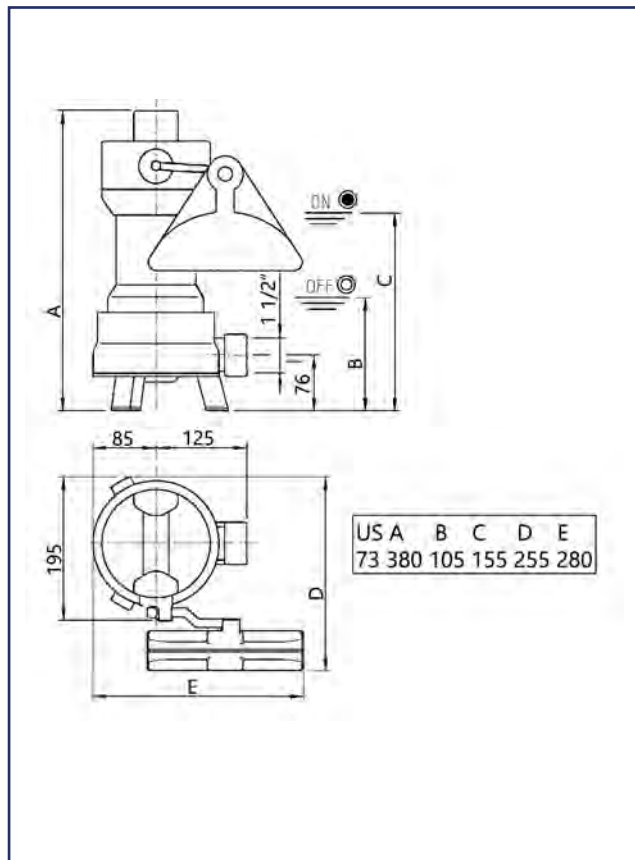
Pump:

- Safe to run dry
- 30 mm free passage
- Hot water up to 90°C (Rated for continuous operation)
- Controllable oil chamber
- SiC mechanical seal independent of sense of rotation
- Replaceable moisture sealed cable inlet

Description:

The heavy duty centrifugal submersible drainage pump US 73 HES is suitable for dealing with wastewater and capable of handling soft solids up to 30mm in particle size.

The Pump is rated for continuous operation for very hot wastewater up to 90°C.

**Dimensions/switching points US 73 HES (mm)**

Scope of Supply

Pump acc. To EN 12050 ready for connection with 4m cable and automatic level float control.

Mechanical Data			
Pump	Vertical single stage	Run dry protection	Yes
Free passage	30mm	Shaft	Stainless Steel
Bearing	Ball bearing, grease-lubricated	Impeller	Vortex impeller GFK
Seal on motor side	Duplex rotary shaft seals	Motor housing	Stainless Steel
Oil chamber	Yes	Pump housing	Grey cast iron
Seal on medium side	SiC Mechanical seal	Submersible	Yes
		Pressure outlet	IG 1½"
Electrical Data			
Voltage	1/N/PE-230V	Insulation class	F
Power line	10m H07RN-F	Winding thermostat	Yes
Wires	3G1.0	Motor protection	Integrated
Type of enclosure	IP68	Plug	Safety

US 73 HES

Type	Code No.	Motor rating P1	Motor rating P2	Current	Weight
US 73 HES	JP09264	0.83kW	0.50kW	3.9A	12.5kg

Notes:

- This unit is for wastewater only
- Ensure the location of the DrainMajor enables the lid to be easily removed for regular inspection and maintenance
- If the discharge pipework connection to a soil stack, manhole etc. is below the discharge outlet of the tank, an anti-syphon unit must be fitted at the highest point of the discharge pipework
- Warranty: The DrainMajor 730 HES (240V) comes complete with a one year warranty.

Pump Technology Ltd. - 0118 9821 555 - www.pumptechnology.co.uk

Official Distributor and Stockist Authorised by Jung Pumpen GmbH



3 of 3

Pump Technology Ltd. reserves the right to change the specification without prior notice.

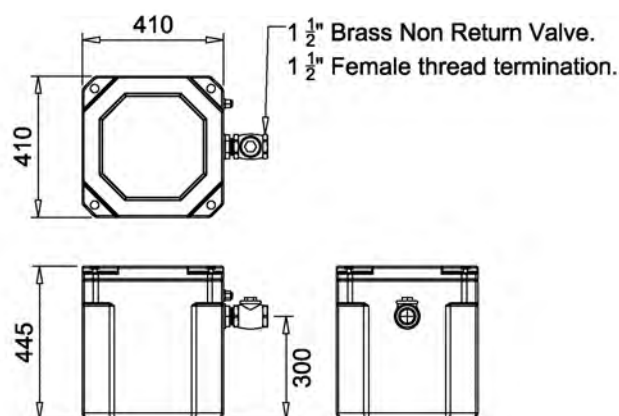
**DRAINMAJOR 1030 (240V)
 (Wastewater Pumping System)**


DrainMajor 1030 (240V) Part No. 152
 (Wastewater Pumping System.)

General Description:

DrainMajor 1030 (240V) features a heavy-duty tank and submersible pump for automatically pumping wastewater from commercial kitchens, teapoints, etc.

Dimensions mm


Tank:

Manufactured from recyclable polyethylene and fully rigged with internal pipe work and non-return valve. The lid is held in place with easy-to-remove hand screws and sits on a custom moulded, fitted rubber seal.

Tank Volume: 74.8 litres

Total Approximate Usable Volume - 49.8 litres

Tank Inlets:

To suit site layout, all inverts should be brought into the side of the tank by drilling a hole and using an appropriate tank connector. Minimum invert height 185 mm.

Tank Outlet:

Fitted 1 1/2" BSP male thread discharge outlet (NRV supplied female thread)

Tank Venting:

To suit site layout, a vent should be taken from the side of the tank by drilling a hole and using an appropriate tank connector. Vent pipe should be 1 1/4" min. to air or via a Pump Technology MicroVent.

Good for the Environment:


DrainMajor tanks are made from Recyclable Polyethylene.

Recycling polyethylene is highly cost effective and therefore successful. It is greener than incineration, far more eco-friendly than landfill disposal and easier to use when manufacturing products such as toys, recycling bins, envelopes and much more.

Pump Technology Ltd. - 0118 9821 555 - www.pumptechnology.co.uk

PUMP[®] DATA SHEET DRAINMAJOR 1030 (240V) (Wastewater Pumping System)

TECHNOLOGY LTD

Pump:

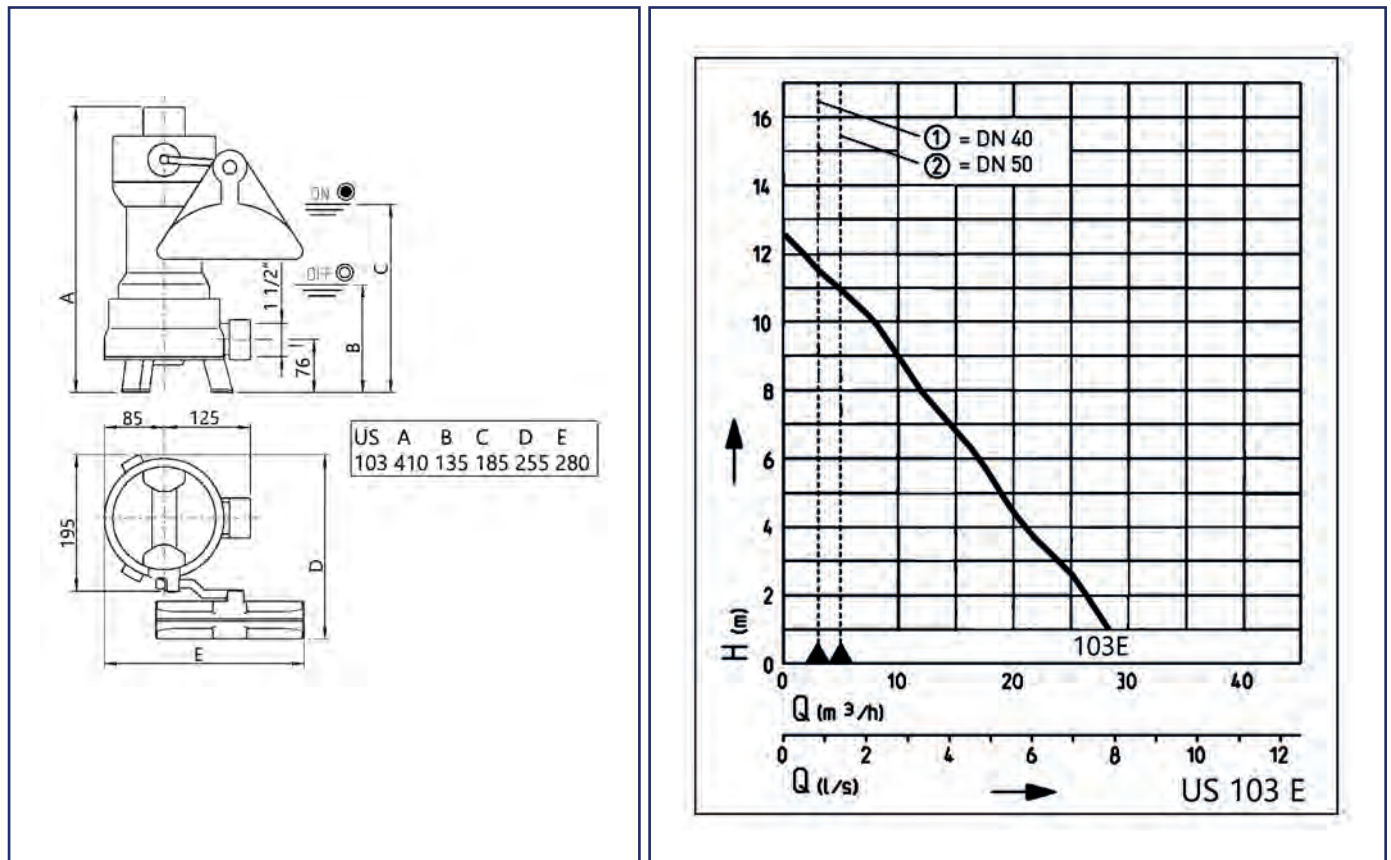
- Safe to run dry
- 30 mm free passage
- Controllable oil chamber
- SiC mechanical seal independent of sense of rotation
- Replaceable moisture sealed cable inlet
- Fluid temperature 35°C, temporarily 60°C (10 mins)

Description:

The heavy duty centrifugal submersible drainage pump US 103 ES is suitable for dealing with wastewater and capable of handling soft solids up to 30 mm particle size.



Dimensions/switching points US 103 ES (mm)



Pump Technology Ltd. - 0118 9821 555 - www.pumptechnology.co.uk

Official Distributor and Stockist Authorised by Jung Pumpen GmbH



2 of 3

PUMP[®] DATA SHEET **DRAINMAJOR 1030 (240V)** (Wastewater Pumping System)

TECHNOLOGY LTD

Scope of Supply

Pump according to DIN EN 12050 ready for connection with 4m cable and automatic level float switch.

Mechanical Data

Pump	Vertical single stage	Shaft	Stainless Steel
Bearing	Ball bearing, grease-lubricated	Impeller	Vortex impeller, GFK
Seal on motor side	Duplex rotary shaft seals	Motor Housing	Edelstahl (253: Grauguss)
Oil chamber	Yes	Pump Housing	Grey cast iron
Seal on medium side	SiC Mechanical seal	Submersible	Yes
Run dry protection	Yes	Pressure outlet	IG 1½" (US253:2")

Electrical Data

Power line	10m H07RN-F	Insulation class	B (253:F)
Type of enclosure	IP68	Winding thermostat	Yes

US 103 ES

Type	Code No.	Voltage	Motor rating P1	Motor rating P2	Current	Wires	Motor protection	Plug	Free passage	Weight
With built-in level control										
US 103 ES	JP09281	1/N/PE-230V	1.37kW	0.98kW	6.0A	3G1,0	Integrated	Safety	30 mm	14.0kg

Notes:

- This unit is for wastewater only
- Ensure the location of the DrainMajor enables the lid to be easily removed for regular inspection and maintenance
- If the discharge pipework connection to a soil stack, manhole etc. is below the discharge outlet of the tank, an anti-syphon unit must be fitted at the highest point of the discharge pipework
- Warranty: The DrainMajor 1030 (240V) comes complete with a one year warranty.

Pump Technology Ltd. - 0118 9821 555 - www.pumptechnology.co.uk

Official Distributor and Stockist Authorised by Jung Pumpen GmbH



3 of 3

Pump Technology Ltd. reserves the right to change the specification without prior notice.

DrainMajor 1030 (240V) Part No. 152 Data Sheet Rev. 2 21.01.2024

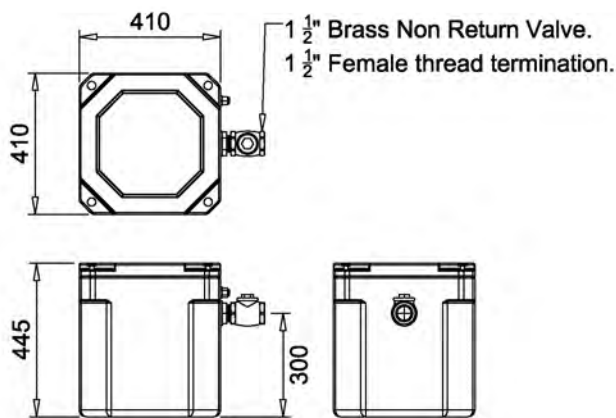
**DRAINMAJOR 1030 (3ph)
 (Wastewater Pumping System)**


DrainMajor 1030 (3ph) Part No.154
 (Wastewater Pumping System.)

General Description:

DrainMajor 1030 (3ph) features a heavy-duty tank and submersible pump for automatically pumping wastewater from commercial kitchens, teapoints, etc.

Dimensions mm


Tank:

Manufactured from recyclable polyethylene and fully rigged with internal pipe work and non-return valve. The lid is held in place with easy-to-remove hand screws and sits on a custom moulded, fitted rubber seal.

Tank Volume: 74.8 litres

Total Approximate Usable Volume - 49.8 litres

Tank Inlets:

To suit site layout, all inverts should be brought into the side of the tank by drilling a hole and using an appropriate tank connector. Minimum invert height 185 mm.

Tank Outlet:

Fitted 1 1/2" BSP male thread discharge outlet (NRV supplied female thread)

Tank Venting:

To suit site layout, a vent should be taken from the side of the tank by drilling a hole and using an appropriate tank connector. Vent pipe should be 1 1/4" min. to air or via a Pump Technology MicroVent.

Good for the Environment:

**DrainMajor tanks are made from
 Recyclable Polyethylene.**

Recycling polyethylene is highly cost effective and therefore successful. It is greener than incineration, far more eco-friendly than landfill disposal and easier to use when manufacturing products such as toys, recycling bins, envelopes and much more.

Pump Technology Ltd. - 0118 9821 555 - www.pumptechnology.co.uk

PUMP[®] DATA SHEET DRAINMAJOR 1030 (3ph) (Wastewater Pumping System)

TECHNOLOGY LTD

Pump:

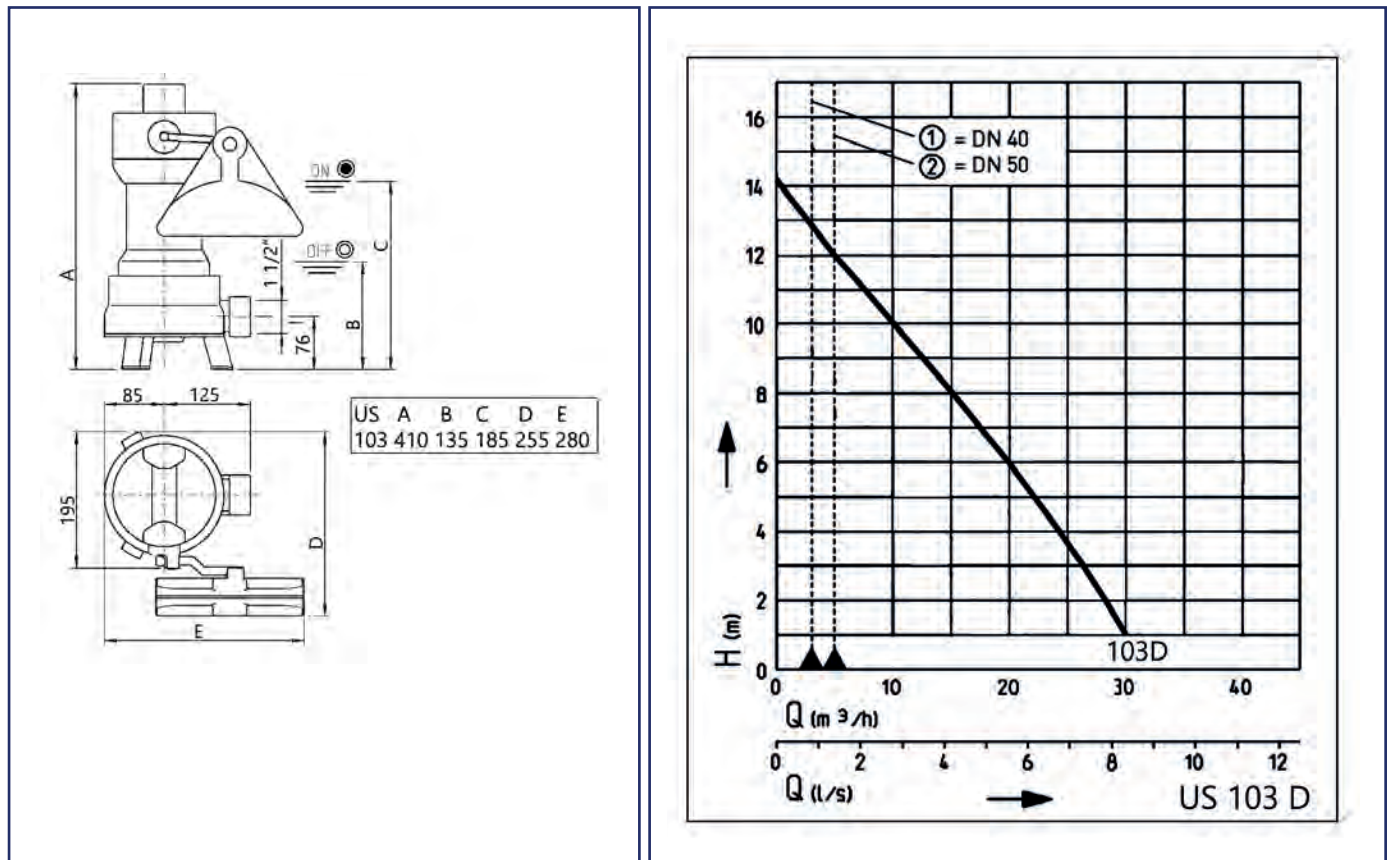
- Safe to run dry
- 30 mm free passage
- Controllable oil chamber
- SiC mechanical seal independent of sense of rotation
- Replaceable moisture sealed cable inlet
- Fluid temperature 35°C, temporarily 60°C (10 mins)

Description:

The heavy duty centrifugal submersible drainage pump US 103 DS is suitable for dealing with wastewater and capable of handling soft solids up to 30 mm particle size.



Dimensions/switching points US 103 DS (mm)



Pump Technology Ltd. - 0118 9821 555 - www.pumptechnology.co.uk

Official Distributor and Stockist Authorised by Jung Pumpen GmbH



2 of 3

PUMP[®] DATA SHEET **DRAINMAJOR 1030 (3ph)** **TECHNOLOGY LTD** (Wastewater Pumping System)

Scope of Supply

Pump according to DIN EN 12050 ready for connection with 4m cable and automatic level float switch

Mechanical Data

Pump	Vertical single stage	Shaft	Stainless Steel
Bearing	Ball bearing, grease-lubricated	Impeller	Vortex impeller, GFK
Seal on motor side	Duplex rotary shaft seals	Motor housing	Edelstahl (253: Grauguss)
Oil chamber	Yes	Pump housing	Grey cast iron
Seal on medium side	SiC Mechanical seal	Submersible	Yes
Run dry protection	Yes	Pressure outlet	IG 1½" (US253:2")

Electrical Data

Power line	10m H07RN-F	Insulation class	B (253:F)
Type of enclosure	IP68	Winding thermostat	Yes

US 103 DS

Type	Code No.	Voltage	Motor rating P1	Motor rating P2	Current	Wires	Motor protection	Plug	Free passage	Weight
With built-in level control										
US 103 DS	JP09259	3/PE-400V	1.36kW	1.60kW	2.4A	4G1,0	Integrated	CEE	30 mm	15.0kg

Notes:

- This unit is for wastewater only
- Ensure the location of the DrainMajor enables the lid to be easily removed for regular inspection and maintenance
- If the discharge pipework connection to a soil stack, manhole etc. is below the discharge outlet of the tank, an anti-syphon unit must be fitted at the highest point of the discharge pipework
- Warranty: The DrainMajor 1030 (3ph) comes complete with a one year warranty.

Pump Technology Ltd. - 0118 9821 555 - www.pumptechnology.co.uk

Official Distributor and Stockist Authorised by Jung Pumpen GmbH



3 of 3

Pump Technology Ltd. reserves the right to change the specification without prior notice.

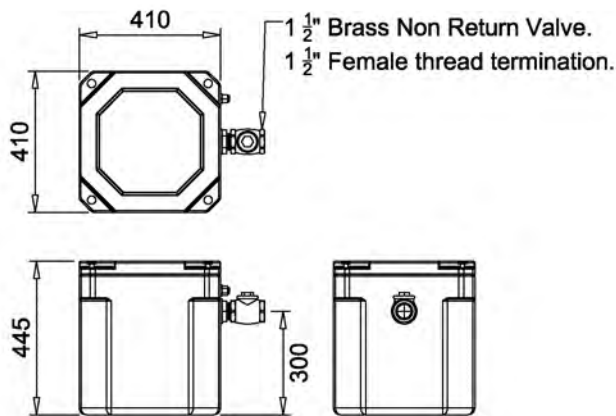
**DRAINMAJOR 1030 HES (240V)
 (Hot Wastewater Pumping System)**


DrainMajor 1030 HES (240V) Part No.153
 (Hot Wastewater Pumping System.)

General Description:

DrainMajor 1030 HES (240V) features a heavy-duty tank and submersible pump for automatically pumping "Hot Wastewater" from tea points with zip taps, commercial kitchens, sinks, dishwashers, combi ovens, pasta cookers, washing machines etc.

Dimensions mm


Tank:

Manufactured from recyclable polyethylene and fully rigged with internal pipe work and non-return valve. The lid is held in place with easy-to-remove hand screws and sits on a custom moulded, fitted rubber seal.

Tank Volume: 74.8 litres

Total Approximate Usable Volume - 49.8 litres

Tank Inlets:

To suit site layout, all inverts should be brought into the side of the tank by drilling a hole and using an appropriate tank connector. Minimum invert height 185mm.

Good for the Environment:

**DrainMajor tanks are made from
 Recyclable Polyethylene.**

Recycling polyethylene is highly cost effective and therefore successful. It is greener than incineration, far more eco-friendly than landfill disposal and easier to use when manufacturing products such as toys, recycling bins, envelopes and much more.

Tank Outlet:

Fitted 1 1/2" BSP male thread discharge outlet (NRV supplied female thread)

Tank Venting:

To suit site layout, a vent should be taken from the side of the tank by drilling a hole and using an appropriate tank connector. Vent pipe should be 2" to air or via a Pump Technology MicroVent.

Pump Technology Ltd. - 0118 9821 555 - www.pumptechnology.co.uk

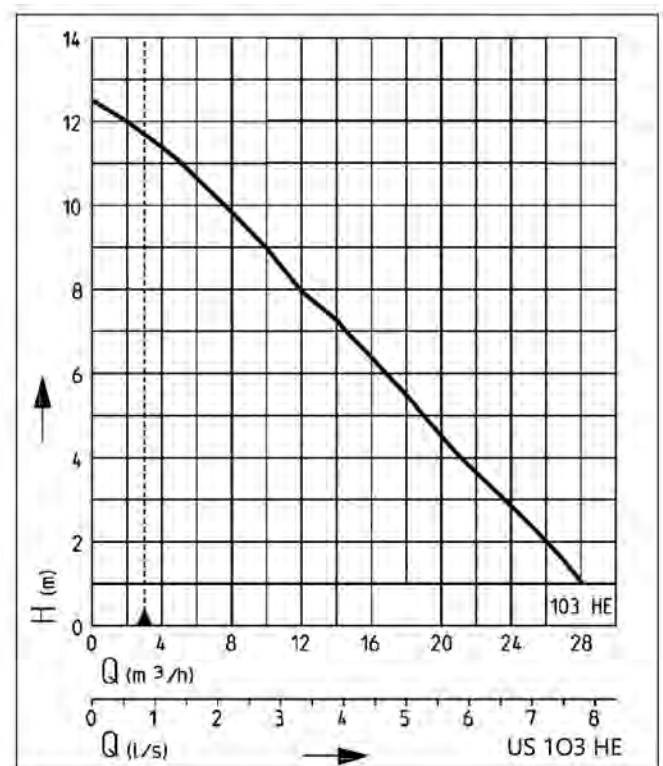
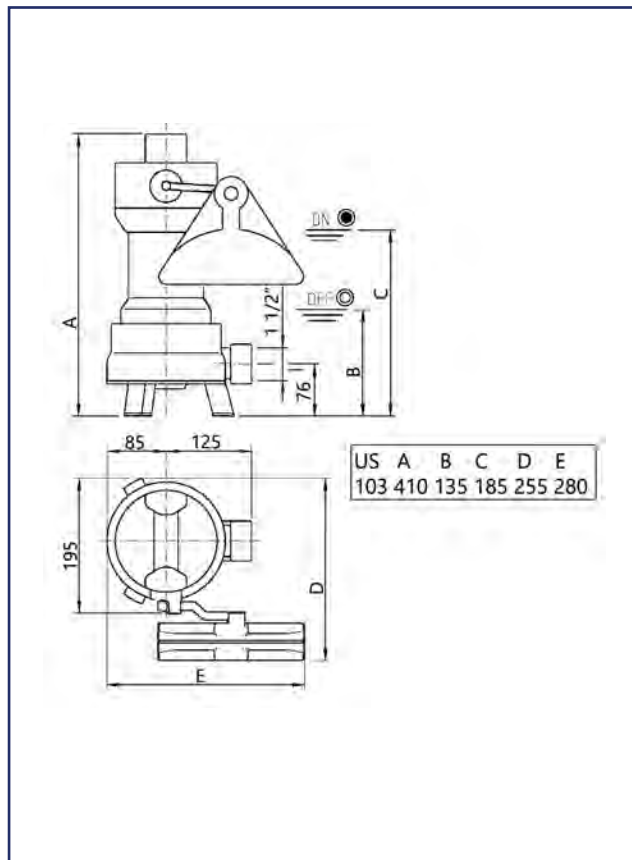
Pump:

- Safe to run dry
- 30 mm free passage
- Hot water up to 90°C (Rated for continuous operation)
- Controllable oil chamber
- SiC mechanical seal independent of sense of rotation
- Replaceable moisture sealed cable inlet

Description:

The heavy duty centrifugal submersible drainage pump US 1030 HES is suitable for dealing with wastewater and capable of handling soft solids up to 30mm in particle size.

The Pump is rated for continuous operation for very hot wastewater up to 90°C.

**Dimensions/switching points US 103 HES (mm)**

PUMP[®] DATA SHEET **DRAINMAJOR 1030 HES (240V)** (Wastewater Pumping System)

TECHNOLOGY LTD

Scope of Supply

Pump acc. To EN 12050 ready for connection with 4m cable and automatic level float switch.

Mechanical Data			
Pump	Vertical single stage	Run dry protection	Yes
Free passage	30mm	Shaft	Stainless Steel
Bearing	Ball bearing, grease-lubricated	Impeller	Vortex impeller GFK
Seal on motor side	Duplex rotary shaft seals	Motor Housing	Stainless Steel
Oil chamber	Yes	Pump Housing	Grey cast iron
Seal on medium side	SiC Mechanical seal	Submersible	Yes
		Pressure outlet	IG 1½"
Electrical Data			
Voltage	1/N/PE-230V	Insulation class	F
Power line	10m H07RN-F	Winding thermostat	Yes
Wires	3G1.0	Motor protection	Integrated
Type of enclosure	IP68	Plug	Safety

US 103 HES

Type	Code No.	Motor rating P1	Motor rating P2	Current	Weight
With built-in level control					
US 103 HES	JP09308	1.37kW	0.98kW	6.0A	14.1kg

Notes:

- This unit is for wastewater only
- Ensure the location of the DrainMajor enables the lid to be easily removed for regular inspection and maintenance
- If the discharge pipework connection to a soil stack, manhole etc. is below the discharge outlet of the tank, an anti-syphon unit must be fitted at the highest point of the discharge pipework
- Warranty: The DrainMajor 1030 HES (240V) comes complete with a one year warranty.

Pump Technology Ltd. - 0118 9821 555 - www.pumptechnology.co.uk

Official Distributor and Stockist Authorised by Jung Pumpen GmbH



3 of 3

Pump Technology Ltd. reserves the right to change the specification without prior notice.