

DRAINMAJOR 730 HES (240V) (Hot Wastewater Pumping System)

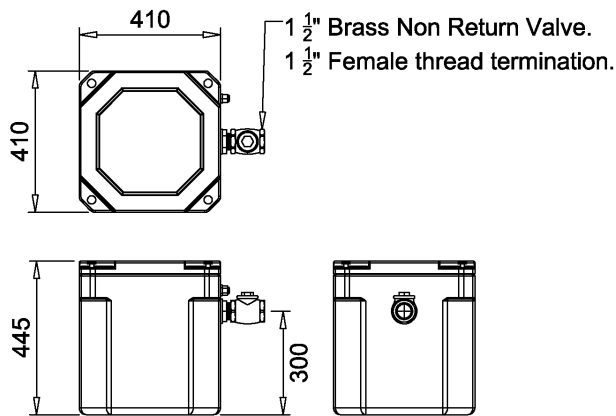


DrainMajor 730 HES (240V) Part No.142
(Hot Wastewater Pumping System. Continuously
Rated for 90°C Hot Wastewater)

General Description:

DrainMajor 730 HES (240V) features a heavy-duty tank and submersible pump for automatically pumping "Hot Wastewater" from tea points with zip taps, commercial kitchens, sinks, dishwashers, combi ovens, pasta cookers, washing machines etc.

Dimensions mm



Tank:

Manufactured from recyclable polyethylene and fully rigged with internal pipe work and non-return valve. The lid is held in place with easy-to-remove hand screws and sits on a custom moulded, fitted rubber seal.

Tank Volume: 74.8 litres

Total Approximate Usable Volume - 49.8 litres

Tank Inlets:

To suit site layout, all inverts should be brought into the side of the tank by drilling a hole and using an appropriate tank connector. Minimum invert height 155mm.

Tank Outlet:

Fitted 1 1/2" BSP male thread discharge outlet (NRV supplied female thread)

Tank Venting:

To suit site layout, a vent should be taken from the side of the tank by drilling a hole and using an appropriate tank connector. Vent pipe should be 2" to air or via a Pump Technology MicroVent.

Good for the Environment:



DrainMajor tanks are made from Recyclable Polyethylene.

Recycling polyethylene is highly cost effective and therefore successful. It is greener than incineration, far more eco-friendly than landfill disposal and easier to use when manufacturing products such as toys, recycling bins, envelopes and much more.

Pump Technology Ltd. - 0118 9821 555 - www.pumptechnology.co.uk

Pump:

- Safe to run dry
- 30 mm free passage
- Hot water up to 90°C (Rated for continuous operation)
- Controllable oil chamber
- SiC mechanical seal independent of sense of rotation
- Replaceable moisture sealed cable inlet

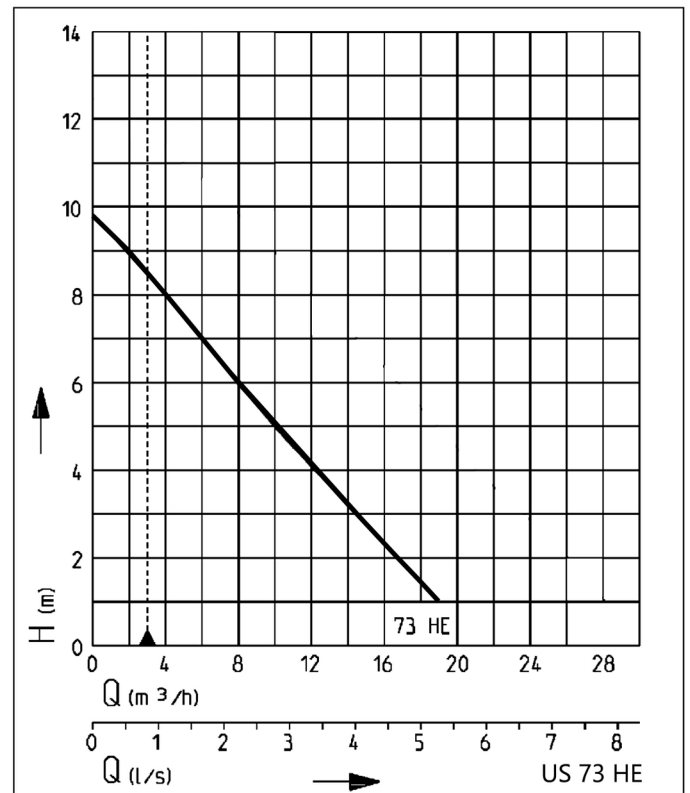
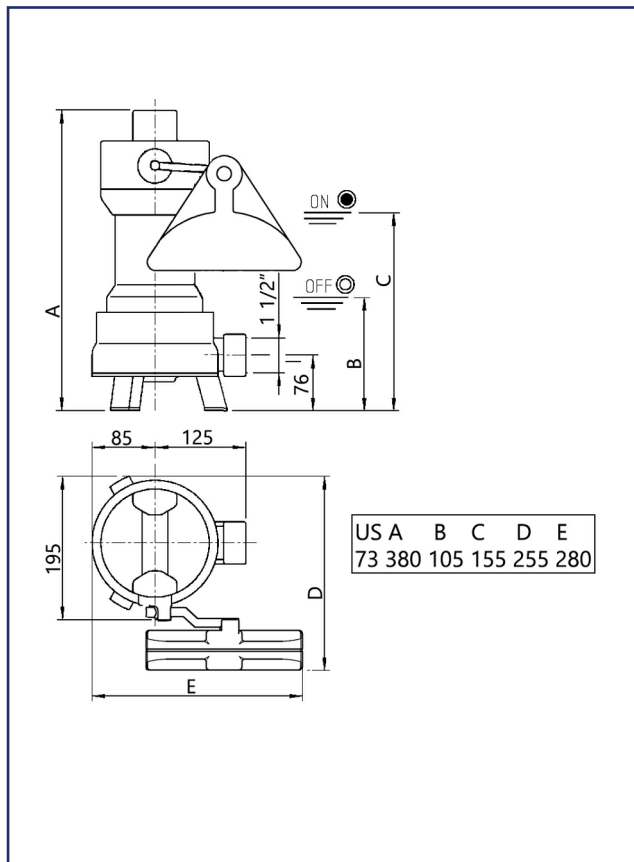
Description:

The heavy duty centrifugal submersible drainage pump US 73 HES is suitable for dealing with wastewater and capable of handling soft solids up to 30mm in particle size.

The Pump is rated for continuous operation for very hot wastewater up to 90°C.



Dimensions/switching points US 73 HES (mm)



Scope of Supply

Pump acc. To EN 12050 ready for connection with 4m cable and automatic level float control.

Mechanical Data			
Pump	Vertical single stage	Run dry protection	Yes
Free passage	30mm	Shaft	Stainless Steel
Bearing	Ball bearing, grease-lubricated	Impeller	Vortex impeller GFK
Seal on motor side	Duplex rotary shaft seals	Motor housing	Stainless Steel
Oil chamber	Yes	Pump housing	Grey cast iron
Seal on medium side	SiC Mechanical seal	Submersible	Yes
		Pressure outlet	IG 1½"

Electrical Data			
Voltage	1/N/PE-230V	Insulation class	F
Power line	10m H07RN-F	Winding thermostat	Yes
Wires	3G1.0	Motor protection	Integrated
Type of enclosure	IP68	Plug	Safety

US 73 HES

Type	Code No.	Motor rating P1	Motor rating P2	Current	Weight
US 73 HES	JP09264	0.83kW	0.50kW	3.9A	12.5kg

Notes:

- This unit is for wastewater only
- Ensure the location of the DrainMajor enables the lid to be easily removed for regular inspection and maintenance
- If the discharge pipework connection to a soil stack, manhole etc. is below the discharge outlet of the tank, an anti-syphon unit must be fitted at the highest point of the discharge pipework
- Warranty: The DrainMajor 730 HES (240V) comes complete with a one year warranty.