

**DRAINMAJOR 60 (240V)  
(Wastewater Pumping System)**

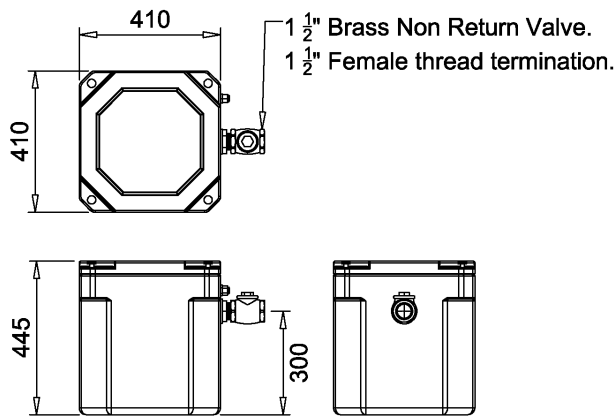


DrainMajor 60 (240V) Part No.131  
(Wastewater Pumping System.)

**General Description:**

DrainMajor 60 (240V) features a heavy-duty tank and submersible pump for automatically pumping wastewater from commercial kitchens, teapoints, etc.

Dimensions mm



**Tank:**

Manufactured from recyclable polyethylene and fully rigged with internal pipe work and non-return valve. The lid is held in place with easy-to-remove hand screws and sits on a custom moulded, fitted rubber seal.

**Tank Volume: 74.8 litres**

Total Approximate Usable Volume - 49.8 litres

**Tank Inlets:**

To suit site layout, all inverts should be brought into the side of the tank by drilling a hole and using an appropriate tank connector. Minimum invert height 120 mm.

**Tank Outlet:**

Fitted 1 1/2" BSP male thread discharge outlet (NRV supplied female thread)

**Tank Venting:**

To suit site layout, a vent should be taken from the side of the tank by drilling a hole and using an appropriate tank connector. Vent pipe should be 1 1/4" min. to air or via a Pump Technology MicroVent.

**Good for the Environment:**



**DrainMajor tanks are made from Recyclable Polyethylene.**

Recycling polyethylene is highly cost effective and therefore successful. It is greener than incineration, far more eco-friendly than landfill disposal and easier to use when manufacturing products such as toys, recycling bins, envelopes and much more.

**Pump:**

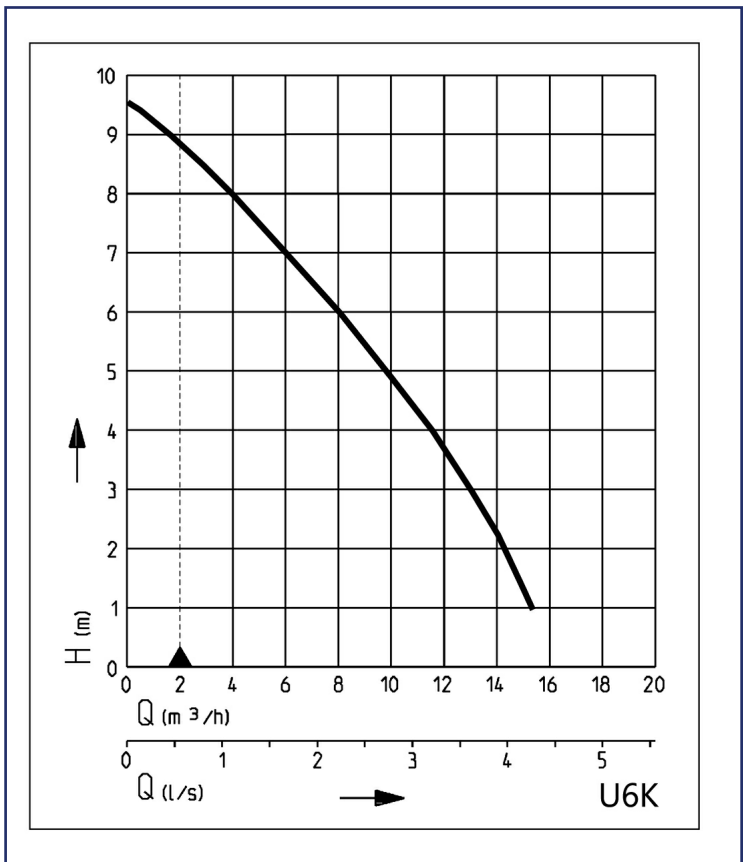
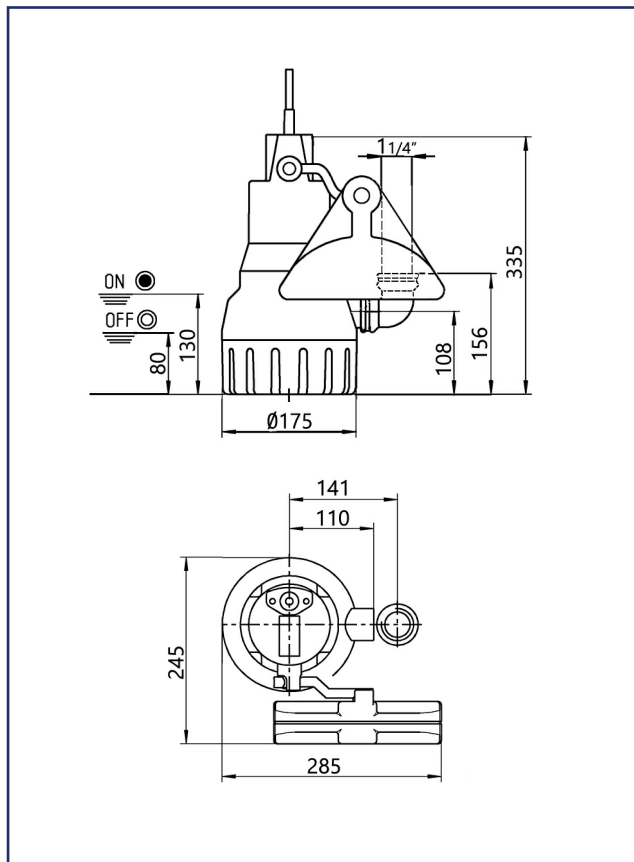
- Safe to run dry
- 10 mm free passage with EIP technology
- Cooling jacket for motor housing
- SiC mechanical seal independent of sense of rotation
- Replaceable moisture sealed cable inlet
- Flushing device
- Fluid temperature 35°C, temporarily 60°C (10 mins)



**Description:**

The heavy duty centrifugal submersible drainage pump U6K ES is suitable for dealing with wastewater and capable of handling soft solids up to 10mm in particle size.

**Dimensions/switching points U6K ES (mm)**



**Scope of Supply**

Pump ready for connection acc. to EN 12050 with 90°, 1¼" female connection elbow, 4m cable with automatic level float switch.

Mechanical Data			
Pump	Vertical single stage	Run dry protection	Yes
Free Passage	10 mm	Shaft	Stainless Steel
Bearing	Ball bearing, grease-lubricated	Impeller	Vortex impeller, GFK
Seal on motor side	Rotary shaft seal	Motor Housing	Stainless Steel
Oil chamber	Yes	Submersible	Yes
Seal on medium side	SiC mechanical seal	Pressure outlet	1¼"
Electrical Data			
Motor Rating P1	0.75kW	Winding thermostat	Yes
Type of enclosure	IP 68	Motor protection	Integrated
Insulation Class	B		

**U6K ES**

Type	Code No.	Voltage	Motor rating P2	Current	Power line	Wires	Plug	Weight
<b>With built-in level control</b>								
U6K ES, 4m cable	<b>JP00227</b>	1/N/PE-230V	0.50kW	3.3A	4m H07RN-F	3G1,0	Safety	5.5kg

**Notes:**

- This unit is for wastewater only
- Ensure the location of the DrainMajor enables the lid to be easily removed for regular inspection and maintenance
- If the discharge pipework connection to a soil stack, manhole etc. is below the discharge outlet of the tank, an anti-syphon unit must be fitted at the highest point of the discharge pipework
- Warranty: The DrainMajor 60 (240V) comes complete with a one year warranty.

**Pump Technology Ltd. - 0118 9821 555 - [www.pumptechnology.co.uk](http://www.pumptechnology.co.uk)**

Official Distributor and Stockist Authorised by Jung Pumpen GmbH



3 of 3

Pump Technology Ltd. reserves the right to change the specification without prior notice.