

MULTIDRAIN UV 300
SUBMERSIBLE DRAINAGE PUMPS



- 10 mm free passage
- Discharge vertical 1 1/2"
- Emerged operation due to motor cooling (S1)
- Thermal motor protection
- Duplex mechanical seal
- Replaceable moisture sealed cable inlet

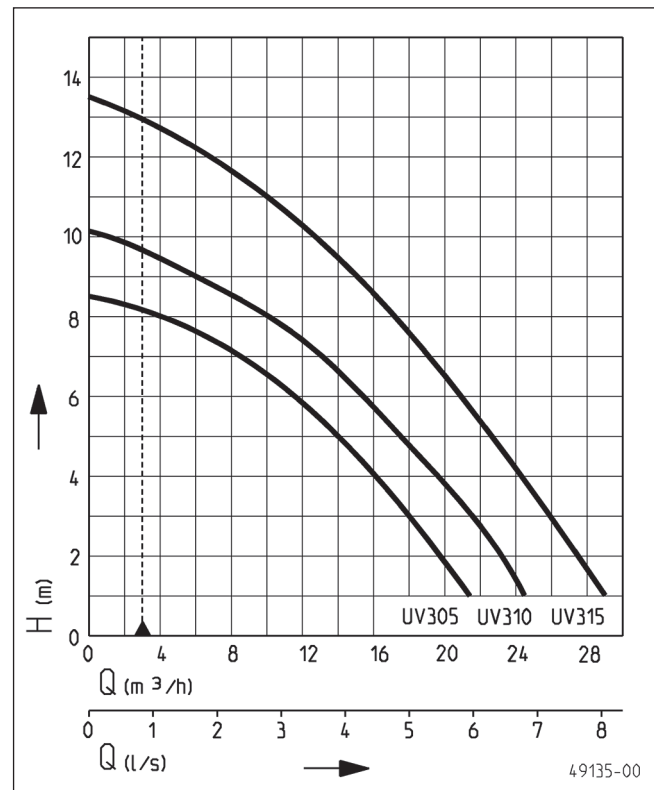
DESCRIPTION

The submersible drainage pumps Multidrain UV 300 can be used wherever there is dirty, rain, ground, seepage or drainage water with solids up to 10 mm. They can thus be used both in fixed installations in building drainage systems and in all transportable applications such as water extraction, emptying ponds or basins or, above all, in the removal of flooding inside and outside buildings.

The motor jacket cooling makes the pumps particularly suitable for submerged operation. A special thermal protection ensures that the pumps are not damaged even when running dry.

The pumps can be supplied either with or without a mounted submersible ball contact switch and 10 m cable.

PERFORMANCE



Type	Delivery head H [m]	1	3	5	7	9	11	13
UV 305-1	Flow rate Q [m³/h]	21.0	17.5	14.0	7.0			
UV 305-3		22.0	18.5	14.0	8.5			
UV 310-1		24.5	21.0	17.0	13.0	6.0		
UV 310-3		24.5	21.5	17.5	13.5	6.0		
UV 315-1		28.0	25.0	22.0	19.0	14.5	10.0	2.0
UV 315-3		29.0	25.5	23.0	19.0	15.0	10.0	3.0

We reserve the right to change specifications without notice. Pump performance is subject to ISO 9906 tolerances

The minimum flow velocity in the pressure piping must be 0.7 m/s according to EN 12056. This data is represented in the performance curve as a limit of application.

MULTIDRAIN UV 300

SUBMERSIBLE DRAINAGE PUMPS

SCOPE OF SUPPLY

Pumpe mit 10 m Leitung, Pumpen mit Schaltautomatik mit angebautem KT-Schalter.

MECHANICAL DATA

Pump	Vertical single-stage	Dry run protection	Yes
Free passage	10 mm	Shaft	Stainless steel
Bearing	Ball bearings, grease-lubricated	Impeller	Stainless steel
Seal on motor side	Mechanical seal	Motor housing	Stainless steel
Oil chamber	Yes	Submersible	Yes
Seal on medium side	SiC mechanical seal	Pressure outlet	IG 1 1/2"

ELECTRICAL DATA

Power line	10m H07RN8-F	Winding thermostat	Yes
Type of enclosure	IP 68	Motor protection	Integrated
Insulation class	F		

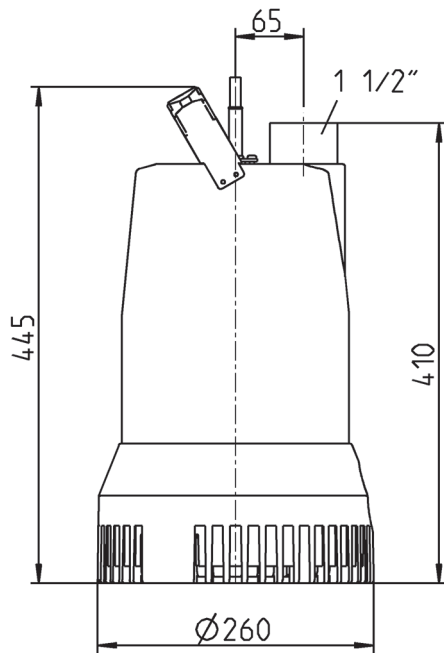
MULTIDRAIN UV 300

Type	Code No.	Voltage	Motor rating		Current	Wires	Plug	Weight
			P1	P2				
Without control unit								
UV 305-1	JP48691	1/N/PE~230 V	1.15 kW	0.88 kW	5.3 A	3G1,0	Safety	17 kg
UV 305-3	JP48692	3/PE~400 V	1.15 kW	0.84 kW	2.6 A	4G1,0	Without	18 kg
UV 310-1	JP48695	1/N/PE~230 V	1.30 kW	1.00 kW	5.8 A	3G1,0	Safety	19 kg
UV 310-3	JP48696	3/PE~400 V	1.35 kW	1.08 kW	3.0 A	4G1,0	Without	19 kg
UV 315-1	JP48699	1/N/PE~230 V	1.83 kW	1.36 kW	8.2 A	3G1,0	Safety	19 kg
UV 315-3	JP48700	3/PE~400 V	1.85 kW	1.45 kW	3.6 A	4G1,0	Without	19 kg
With built-in level control								
UV 305-1 S	JP48693	1/N/PE~230 V	1.15 kW	0.88 kW	5.3 A	3G1,0	Safety	18 kg
UV 305-3 S	JP48694	3/PE~400 V	1.15 kW	0.84 kW	2.6 A	4G1,0	CEE	18 kg
UV 310-1 S	JP48697	1/N/PE~230 V	1.30 kW	1.00 kW	5.8 A	3G1,0	Safety	20 kg
UV 310-3 S	JP48698	3/PE~400 V	1.35 kW	1.08 kW	3.0 A	4G1,0	CEE	20 kg
UV 315-1 S	JP48701	1/N/PE~230 V	1.83 kW	1.36 kW	8.2 A	3G1,0	Safety	20 kg
UV 315-3 S	JP48702	3/PE~400 V	1.85 kW	1.45 kW	3.6 A	4G1,0	CEE	20 kg

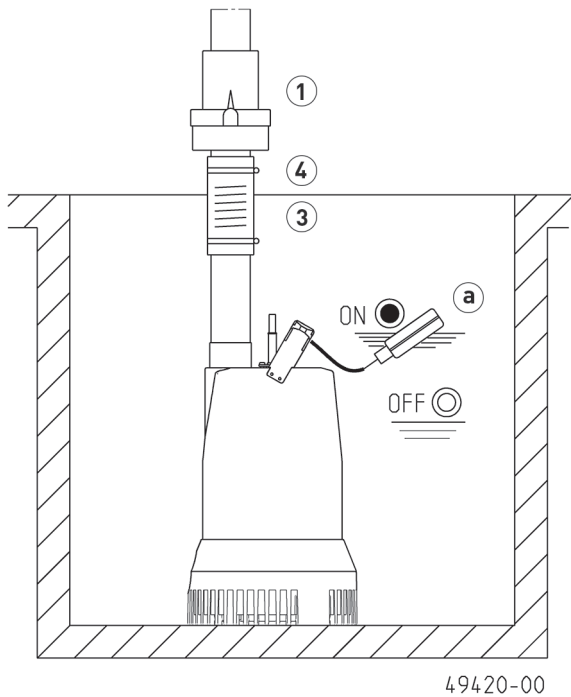
MULTIDRAIN UV 300

SUBMERSIBLE DRAINAGE PUMPS

Dimensions UV 300 (mm)



Mounting arrangement single unit UV 300

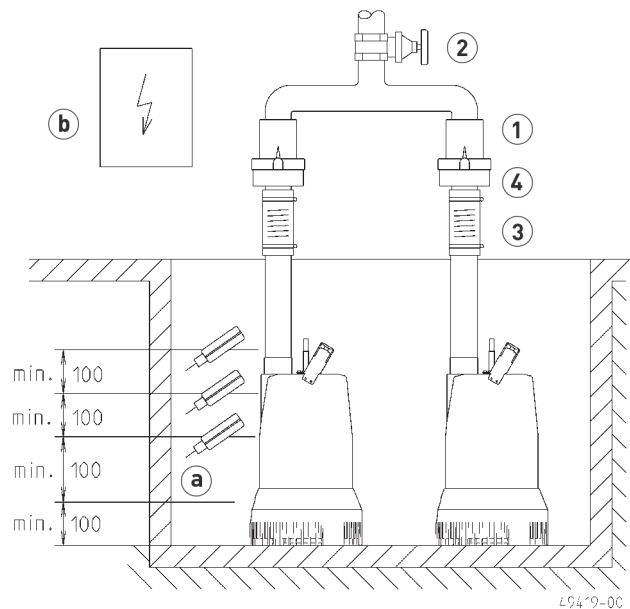


Single unit: sump 40x50 cm

Duplex unit: sump min. 40x70 cm

In case of installation beneath the backpressure level the pressure tube must be taken in a loop over the local backup level acc. to EN 12056. Besides, it must be secured with an EN

Mounting arrangement duple unit UV 300



12050-4-proofed swing-type check valve. Additionally we recommend an alarm system.

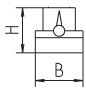
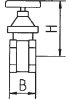
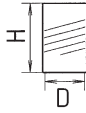

In accordance with DIN EN 12056-4 section 5.1, it has a built-in automatic spare pump or a double attachment included, which ensures that sewage drainage is not interrupted.

Suspend control unit in a dry room

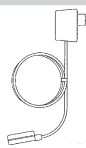

MULTIDRAIN UV 300

SUBMERSIBLE DRAINAGE PUMPS

MECHANICAL ACCESSORIES

				Code No.	
	① Swing-type check valve	R40 EN 12050-4	1½" (DN 40), PN 4	150x120 (HxB)	JP00317
	② Stop-valve		1½" (DN 40), PN 16	125x60 (HxB)	JP44786
	③ Elastic connection		1½" (DN 40), PN 4	120x50 (HxD)	JP44777
	④ Hose band clamp		1½"		JP44763
	⑤ Hose coupling	Coupling Storz C	1½" male thread		JP44770
		Coupling wrench			JP25708
	Pressure hose	15 m , synthetic, with coupling Storz C			JP00336
		Anti-tink for tubes			JP25707
	⑥ Chain	certified, 2.5 m, 320 kg, 5 rings (EN 818 mod.)			JP45901
		certified, 5.0 m, 320 kg, 8 rings (EN 818 mod.)			JP45902
		certified, 7.5 m, 320 kg, 11 rings (EN 818 mod.)			JP47365
		Shackle, certified, 630 kg, stainless steel			JP45904

ELECTRICAL ACCESSORIES

				Code No.
	a Alarm unit	AG10	subm. ball contact switch, mains-dependent, potential-free contact, 9,5 m cable	JP44892
	b Level control for single units	Control unit ND 3A	400 V, subm. ball contact switch 9.5 m, alarm	JP16717
		Subm. switch pack A		JP16715
		Subm. switch pack AmG		JP16719
		Control unit AD 00	400 V	JP00311
		Control unit AD 00 E	230 V	JP00289
		Control unit HIGHLOGO 1-00		JP47988
		Control unit HIGHLOGO 1-00 E	230 V	JP47987
	Level control for duplex units	Control unit BD 00 E	230 V, for pumps U3-U6, US 62-105, UV 300, 08/2 ME	JP45735
		Control unit HIGHLOGO 2-00 E	230 V	JP47996
		Control unit BD 00	400 V, for Pumpen U6, US 62-105, UV 300	JP45993
		Control unit HIGHLOGO 2-00	400 V	JP47997
		Subm. switch pack B	3 subm. ball contact with 9,5 m and fixing devices	JP16725
		Subm. switch pack BmG	3 subm. ball contact with 9.5 m and counterweight	JP16726
	c Rechargeable battery		for mains-independent alarm	JP44850