

JUNG PUMPEN WCFIX PLUS

SEWAGE LIFTING STATION

FOR WASTEWATER CONTAINING FAECAL MATTER

APPLICATION

The WCFix plus can be fitted in a pre-wall system or connected directly to a floor-standing toilet with a minimum flush volume of 6 litres. This allows an additional WC or an additional bathroom to be installed almost anywhere during renovation or alteration work. When installed below the backup level, the device also provides anti-flooding protection.

Pumping is particularly quiet due to its flow-optimized open centrifugal impeller. Due to this design, regular cleaning is not necessary and servicing works are significantly reduced.

Due to the restricted use, the installation is only permitted if the number of users is small and an additional WC above the backup level is available to them. According to DIN EN 12050 Part 3, the following sanitary products can be connected:

- 1 WC
- 1 washbasin
- 1 shower
- 1 bidet

These are required to be located in the same room. According to DIN EN 12050 Part 3, washing machines or bathtubs must not be connected.

The WCFix is equipped with a runtime monitoring for early acoustic fault signalling. It is also possible to pass on the fault signal to other places via a volt free contact fitted as standard. The appliance is fully pre-assembled, ready for connection to a power socket, and operates fully automatically as soon as the flush is actuated. When installed in bathrooms or shower rooms, the corresponding German VDE regulations must be observed.

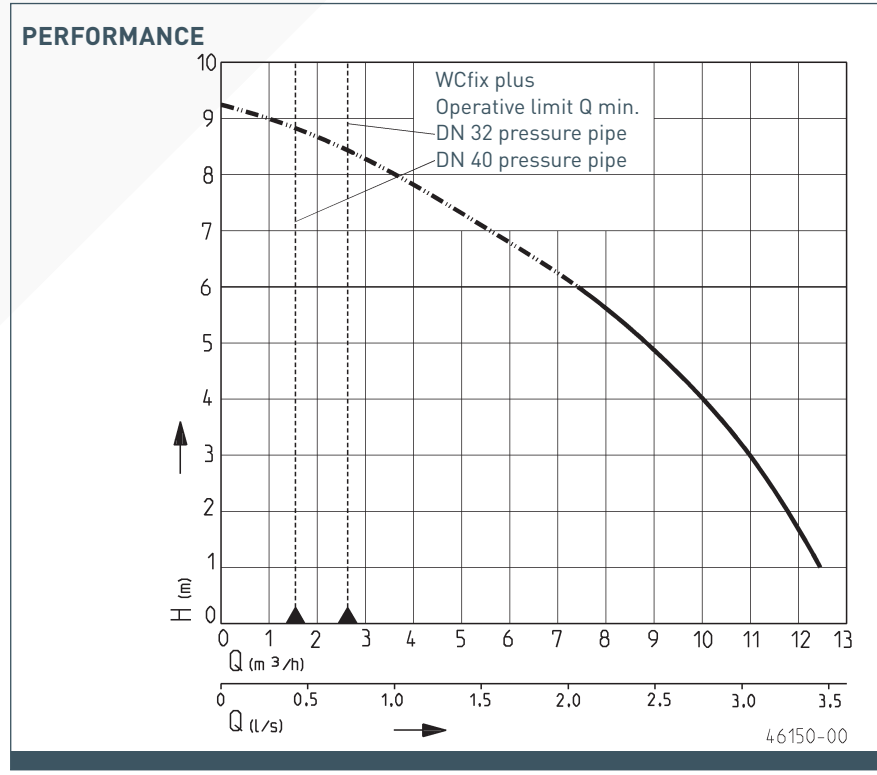
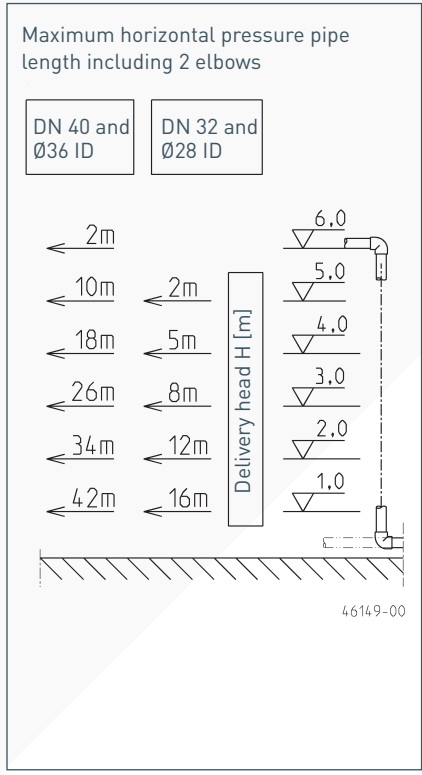
Attention: Do not flush any hygienic products down the toilet, because they can cause malfunctions!

For the installation and for maintenance work a sufficiently large inspection opening has to be planned (accessory).



WCFix plus

- For pre-wall installation or fitting directly behind a floor-standing WC
- Powerful motor
- Low level additional inlets
- Runtime monitoring with acoustic alarm and potential-free alarm contact
- Vent valve and activated carbon filter
- Maintenance-friendly
- Integrated swing-type check valve



JUNG PUMPEN WCFIX PLUS

SEWAGE LIFTING STATION

FOR WASTEWATER CONTAINING FAECAL MATTER

WCFIX PLUS

Type	Height x width x depth	Cable	Weight approx.	Code no.
WCfix plus	280 x 460 x 170 mm	1.5 m	6.2 kg	JP45367
Accessories:				
Installation kit for the cover of the inspection opening (flexibly adjustable to the tiles, 450 x 600 mm min.)				JP41075
Stop valve 1 1/4"				JP44785

PERFORMANCE

Type	Delivery head H [m]	1	2	3	4	5	6
WCfix plus	Flow rate Q [l/min]	208	196	183	163	146	125

ELECTRICAL DATA

Type	Type of current	Voltage Volt	Motor rating kW P ₁	RPM min ⁻¹	Current Ampere	Motor protection	Plug
WCfix plus	1-phase	1/N/PE~230	0.730	2570	3.2	in the winding	Safety-

TECHNICAL DATA

Design

Splash-proof motor (protection category IP 44) in plastic housing on common shaft with impeller. Drain elbow connection with rubber collar, pressure outlet elbow in elastomer with connection socket for pressure piping (in PVC, PP or PE) DN 25 with nominal diameter 32 and DN 32 with nominal diameter 40 and an internal diameter of 32 mm. Incoming connection in DN 50 (HT pipe). Connection via an elastic collar or plug-in seal to the sockets of the system.

Motor

Low-maintenance asynchronous motor for intermittent service (3 min. operation,

7 min. interval) with operating capacitor and built-in thermal motor protection for overload release.

Control

Dynamic pressure level control with additional acoustic fault signal and potential-free contact for remote alarm indication. If additional facilities are connected, unit will automatically cope with increased input.

Materials

Motor housing and shaft made of stainless steel, tank, pump housing and impeller made of plastic, collars and outlet elbow made of elastomer.

Seal

Shaft sealed with rotary shaft seals and intermediate oil reservoir, safe to run dry.

Supply of supply

Appliance including pump complied with EN 12050, ready-to-connect with cable and plug, complete with collars, outlet elbow, swing-type check valve 1 1/4", ventilation insert, activated carbon filter, clamps and fixing materials for buoyancy control.

