

## MULTIDRAIN UV 600

### SUBMERSIBLE DRAINAGE PUMPS

- 10 mm free passage
- Discharge 2" (horizontal and vertical)
- Automatic self-ventilation
- Emerged operation (S1)
- Motor cooling
- Mechanical seals
- Replaceable moisture sealed cable inlet
- Easy to maintain due to guide rail system



#### DESCRIPTION

The centrifugal submersible drainage pumps Multidrain UV 600 have been developed for drainage applications where high delivery heads are required.

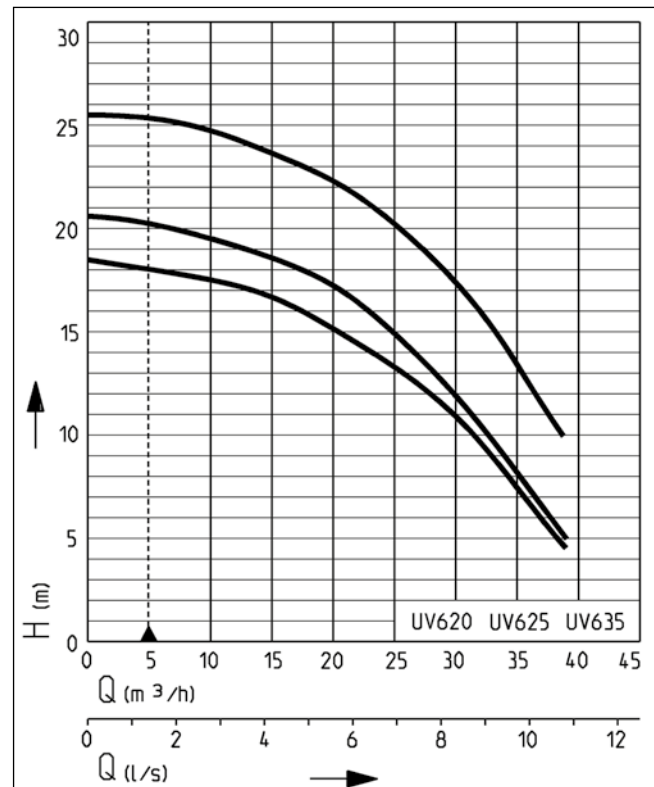
All kind of drainage / greywater with solids up to 10 mm can be disposed from large depths. Shopping centers, high-rise buildings, undergrounds stations and other buildings with deep basements are the right environment for the UV 600 pumps.

In addition to a fix sump installation these pumps can also be used for mobile applications.

The pressure pipe can be connected either to the vertical or the horizontal discharge.

The horizontal one is suitable for sump installations with a guide rail system (GR 50). For mobile applications or in narrow sumps the connection to the vertical discharge port is recommended.

#### PERFORMANCE



Type	Delivery head H [m]	6	8	10	12	14	16	18	20	22	24
UV 620-1/620-3	Flow rate Q [m³/h]	38	35	32	28	24	18	5			
UV 625-3		39	37	33	31	28	24	16	5		
UV 635-3				39	37	34	32	29	26	20	10

We reserve the right to change specifications without notice. Pump performance is subject to ISO 9906 tolerances

The minimum flow velocity in the pressure piping must be 0.7 m/s according to EN 12056. This data is represented in the performance curve as a limit of application.

# MULTIDRAIN UV 600

## SUBMERSIBLE DRAINAGE PUMPS

### SCOPE OF SUPPLY

Pump with 10 m power cord, automatic version with integrated ball-float switch, plug 2" for the not used discharge incl. automatic ventilation.

### MECHANICAL DATA

Pump	Vertical single-stage	Seal towards the medium section	SiC mechanical seal
Free passage	10 mm	Dry run protection	Yes
Bearing	Ball bearings, grease-packed	Submersible	Yes
Seal towards the motor section	Mechanical seal	Discharge branch	IG 2"
Oil chamber	Yes		

### ELECTRICAL DATA

Power line	10m H07RN8-F	Insulation class	F
Type of enclosure	IP 68	Winding thermostat	Yes

### MULTIDRAIN UV 600

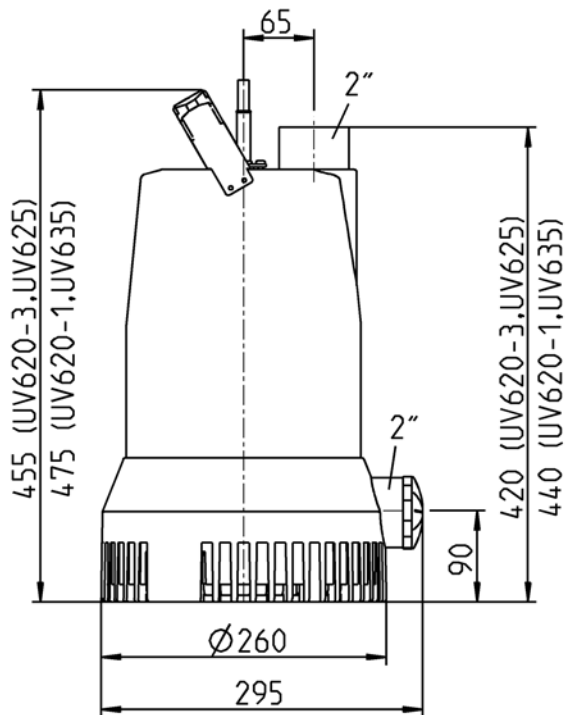
Type	Code No.	Voltage	Motor rating		Current	Wires	Motor protection	Plug	Weight
			P1	P2					
<b>Without control unit</b>									
UV 620-1	<b>JP47337</b>	1/N/PE~230 V	2.40 kW	1.75 kW	10.4 A	3G1,0	Integrated	Without	23.0 kg
UV 620-3	<b>JP47339</b>	3/PE~400 V	2.38 kW	1.95 kW	4.6 A	4G1,0	on request <sup>1</sup>	Without	23.0 kg
UV 625-3	<b>JP47341</b>	3/PE~400 V	2.80 kW	2.28 kW	5.2 A	4G1,0	on request <sup>1</sup>	Without	23.0 kg
UV 635-3	<b>JP47343</b>	3/PE~400 V	3.70 kW	3.05 kW	6.2 A	4G1,0	on request <sup>1</sup>	Without	26.0 kg
<b>With built-in level control</b>									
UV 620-1 S	<b>JP47338</b>	1/N/PE~230 V	2.40 kW	1.75 kW	10.4 A	3G1,0	Integrated	Safety	23.5 kg
UV 620-3 S	<b>JP47340</b>	3/PE~400 V	2.38 kW	1.95 kW	4.6 A	4G1,0	on request <sup>1</sup>	Without	23.5 kg
UV 625-3 S	<b>JP47342</b>	3/PE~400 V	2.80 kW	2.28 kW	5.2 A	4G1,0	on request <sup>1</sup>	Without	23.5 kg
UV 635-3 S	<b>JP47344</b>	3/PE~400 V	3.70 kW	3.05 kW	6.2 A	4G1,0	on request <sup>1</sup>	Without	26.5 kg

<sup>1</sup>Protective motor plug necessary see accessory

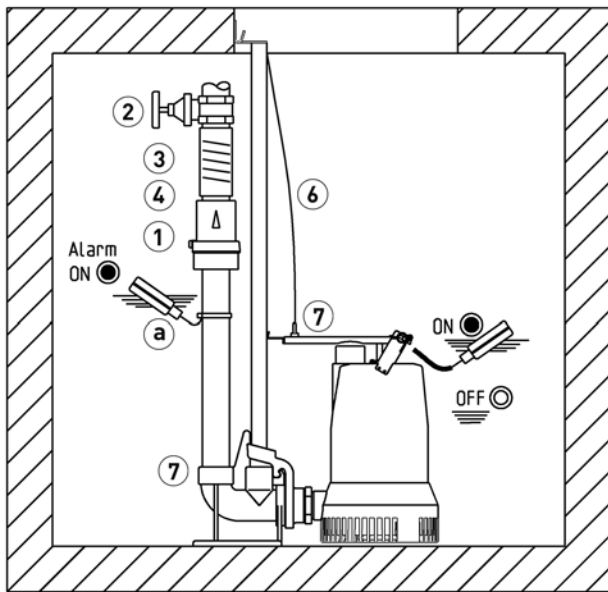
# MULTIDRAIN UV 600

## SUBMERSIBLE DRAINAGE PUMPS

### Dimensions UV 600 (mm)



### Mounting arrangement single unit with GR



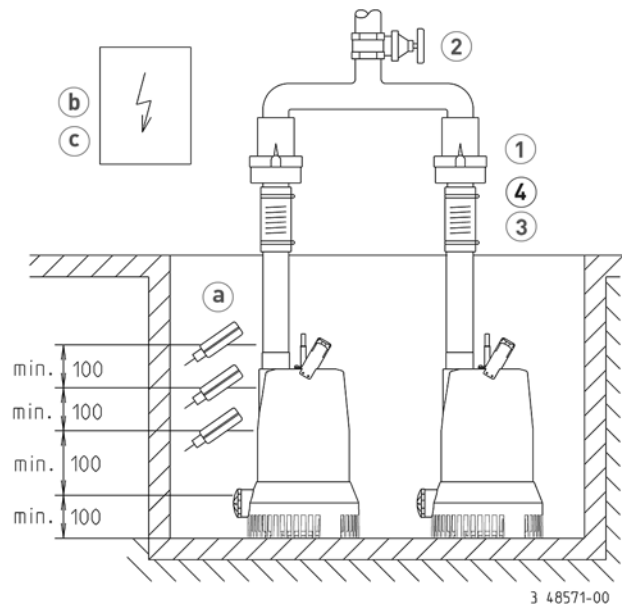
48570-00

Single unit 2" with GR 50: sump area min. 40x70 cm  
 Single unit 2" without GR: sump area min. 40x50 cm

Duplex unit 2" with GR 50: sump area min. 70x70 cm  
 Duplex unit 2" without GR: sump area min. 50x70 cm

In case of installation beneath the backpressure level the pressure tube must be taken in a

### Mounting arrangement duplex unit



3 48571-00

loop over the local backup level acc. to EN 12056. Besides, it must be secured with an EN 12050-4-proofed swing-type check valve. Additionally we recommend an alarm system.

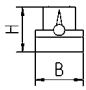
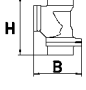
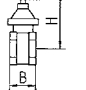
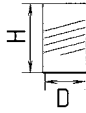

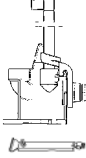
Nach EN 12056-4 Abs. 5.1 ist in Anlagen, bei denen die Abwasserableitung nicht unterbrochen werden darf, eine eine Doppelanlage einzubauen.

Suspend control unit in a dry room

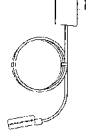
# MULTIDRAIN UV 600

## SUBMERSIBLE DRAINAGE PUMPS

### MECHANICAL ACCESSORIES

			Code No.
	<b>① Swing-type check valve</b> R50 EN 12050-4	2" (DN 50), PN 4	JP00326
	<b>Ball-type check valve</b> K50 EN 12050-4	2" (DN 50), PN 6	JP44782
	<b>② Stop-valve</b>	2" (DN 50), PN 16	JP44787
	<b>③ Elastic connection</b>	2" (DN 50), PN 4	JP44775
	<b>④ Hose band clamp</b>	2"	JP44764
	<b>⑤ Hose coupling</b> Coupling Storz C Coupling wrench	2" male thread	JP50217 JP25708
	<b>Pressure hose</b> Anti-tink for tubes	15 m , synthetic, with coupling Storz C	JP00336 JP25707
	<b>⑥ Chain</b>	certified, 2.5 m, 320 kg, 5 rings (EN 818 mod.) certified, 5.0 m, 320 kg, 8 rings (EN 818 mod.) certified, 7.5 m, 320 kg, 11 rings (EN 818 mod.) Shackle, certified, 630 kg, stainless steel	JP45901 JP45902 JP47365 JP45904
	<b>⑦ Guide rail system</b>  Securing lever	GR 50  UV 600	JP25593  JP49171

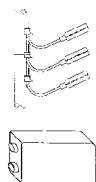
### ELECTRICAL ACCESSORIES

			Code No.
	<b>a Alarm unit</b>  AG10	subm. ball contact switch, mains-dependent, potential-free contact, 9,5 m cable	JP44892

# MULTIDRAIN UV 600

## SUBMERSIBLE DRAINAGE PUMPS

### ELECTRICAL ACCESSORIES

		Code No.	
	<b>b Level control for single units</b>		
	Control unit ND 3A	400 V, subm. ball contact switch 9.5 m, alarm	JP16717
	CEE motor protection 4,0-6,0 A	400 V, for pumps without integrated motor protection mandatory	JP44751
	CEE motor protection 6,0-9,0 A	400 V, for pumps with integrated motor protection mandatory	JP44752
	Subm. switch pack AmG		JP16719
	Control unit AD 46		JP14353
	Control unit 1-46		JP47990
	<b>Level control for duplex units</b>		
	Control unit BD 46	400 V, for pumps US 155-253, UV 620-3, UV 625-3	JP45739
	Control unit HIGHLOGO 2-46	400 V	JP47999
	Control unit BD 610	400 V, for pumps UV 635-3	JP45741
	Control unit HIGHLOGO 2-610	400 V	JP48000
	Subm. switch pack B	3 subm. ball contact with 9,5 m and fixing devices	JP16725
	Subm. switch pack BmG	3 subm. ball contact with 9.5 m and counterweight	JP16726
<b>c Rechargeable battery</b>	for mains-independent alarm	JP44850	

# MULTIDRAIN UV 600

SUBMERSIBLE DRAINAGE PUMPS