

# JUNG PUMPEN COMPLI 1500/2500 SEWAGE LIFTING STATIONS

## APPLICATION

The compli 1500 and 2500 tank systems have been designed for large industrial and communal wastewater volumes as well as for the connection of streets or other community effluent systems. In order to ensure a practical arrangement, special importance was attached to easy installation.

The submersible unit is permitted for general use in areas subject to flooding without requiring additional outlay. The control unit has to be fitted in a well ventilated flood-proof room.

The construction with PE tanks has freely accessible drains and a clamp-type inlet flange for easy installation. The top-mounted cleaning opening and the easy replaceability of the pre-mounted pumps also ensure time-saving servicing.

For application areas with special obligations for fire protection like airports or underground railways we recommend our sewage liftings stations in stainless steel on request.

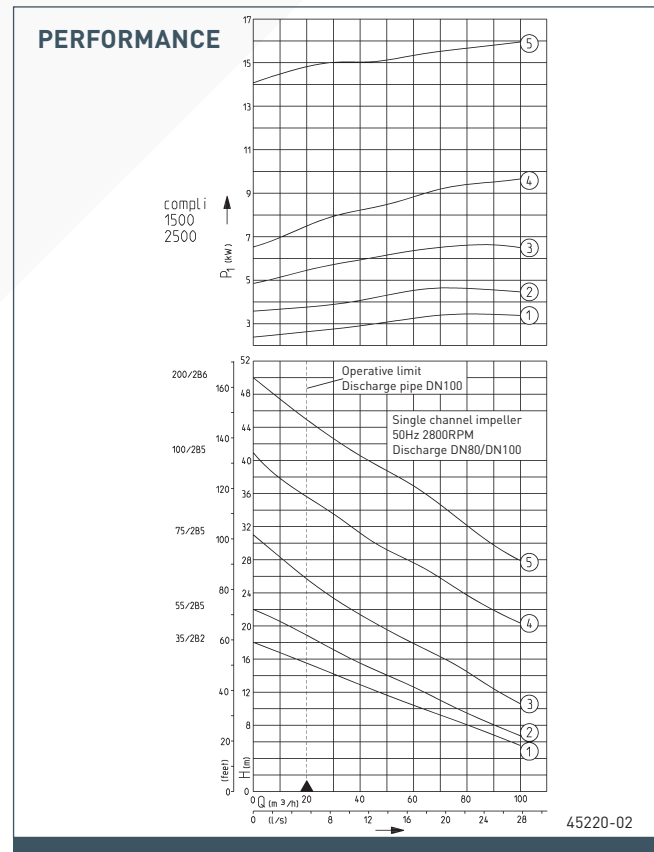
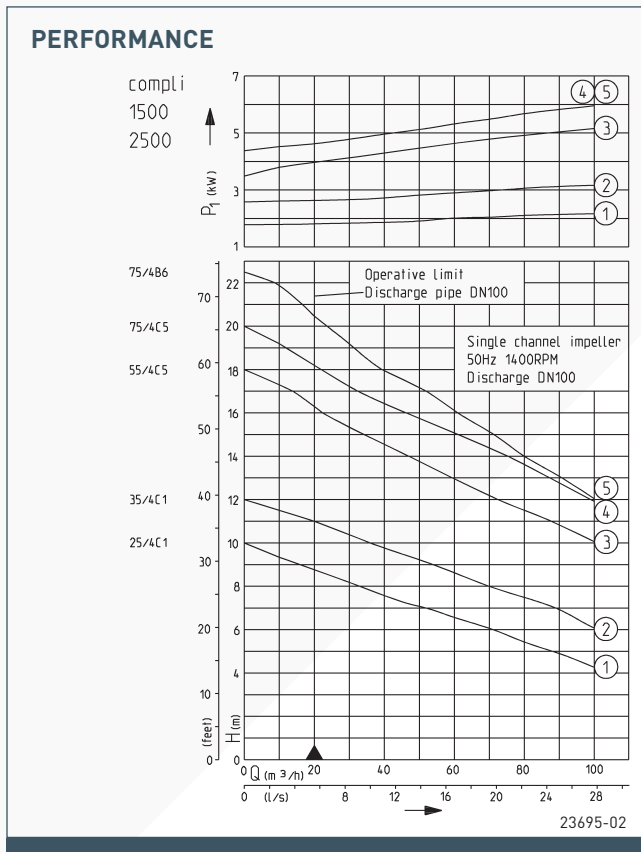
- Submersible
- Large storage capacity
- Selectable inlet position
- PE-tank



compli 1500



compli 2500



We reserve the right to change specifications without notice Pump performance is subject to ISO 9906 tolerances

The minimum flow velocity in the pressure piping must be 0.7 m/s according to EN 12056. This data is represented in the performance curve as a limit of application.

# JUNG PUMPEN COMPLI 1500/2500

## SEWAGE LIFTING STATIONS

### SEWAGE LIFTING STATIONS

Type	Tank capacity l	Inlet height mm	Free passage mm	Clamp-type inlet flange	Connecting flange PN 10	For connect- ing pipe	Ventilation	Weight ap- prox.	Code No.
Duplex system with one tank									
compli 1525/4 C1	500	700	100	DN 150	DN 100	DN 100	DN 70	253.5 kg	JP09181
compli 1535/4 C1	500	700	100	DN 150	DN 100	DN 100	DN 70	261.5 kg	JP09182
compli 1555/4 C5	500	700	100	DN 150	DN 100	DN 100	DN 70	363.5 kg	JP09183
compli 1575/4 C5	500	700	100	DN 150	DN 100	DN 100	DN 70	373.5 kg	JP09184
compli 1575/4 B6	500	700	70	DN 150	DN 100	DN 100	DN 70	357.5 kg	JP09185
compli 1535/2 B2	500	700	70	DN 150	DN 80	DN 100	DN 70	235.5 kg	JP45933
compli 1555/2 B2	500	700	70	DN 150	DN 80	DN 100	DN 70	301.5 kg	JP45934
compli 1575/2 B5	500	700	70	DN 150	DN 80	DN 100	DN 70	321.5 kg	JP45141
compli 15100/2 B5	500	700	70	DN 150	DN 80	DN 100	DN 70	367.5 kg	JP45142
compli 15200/2 B6	500	700	70	DN 150	DN 100	DN 100	DN 70	549.5 kg	JP45935
Duplex system with two tanks									
compli 2525/4 C1	1000	700	100	DN 150	DN 100	DN 100	DN 70	300.5 kg	JP09186
compli 2535/4 C1	1000	700	100	DN 150	DN 100	DN 100	DN 70	308.5 kg	JP09187
compli 2555/4 C5	1000	700	100	DN 150	DN 100	DN 100	DN 70	410.5 kg	JP09188
compli 2575/4 C5	1000	700	100	DN 150	DN 100	DN 100	DN 70	420.5 kg	JP09189
compli 2575/4 B6	1000	700	70	DN 150	DN 100	DN 100	DN 70	404.5 kg	JP09190
compli 2535/2 B2	1000	700	70	DN 150	DN 80	DN 100	DN 70	282.5 kg	JP45936
compli 2555/2 B2	1000	700	70	DN 150	DN 80	DN 100	DN 70	348.5 kg	JP45937
compli 2575/2 B5	1000	700	70	DN 150	DN 80	DN 100	DN 70	368.5 kg	JP45938
compli 25100/2 B5	1000	700	70	DN 150	DN 80	DN 100	DN 70	414.5 kg	JP45939
compli 25200/2 B6	1000	700	70	DN 150	DN 100	DN 100	DN 70	596.5 kg	JP45940

### PERFORMANCE

Type	Delivery head H [m]	4	5	6	7	8	9	10	11	12	13	14	16	18	20					
compli ...25/4 C1	Flow rate Q [m³/h]	104	87	71	51	32	16													
compli ...35/4 C1				103	89	72	54	36	21											
compli ...55/4 C5								100	87	74	59	45	22							
compli ...75/4 C5										100	87	75	44	22						
compli ...75/4 B6											91	82	62	41	24					
Type	Delivery head H [m]	5	6	7	8	9	10	13	16	19	22	25	28	31	34	37	40	42	47	
compli ...35/2 B2	Flow rate Q [m³/h]	103	97	89	81	73	65	40	16											
compli ...55/2 B2			103	97	91	85	78	58	37	18										
compli ...75/2 B5								104	88	71	54	37	23	11						
compli 100/2 B5												91	76	55	41	32	15	4		
compli 200/2 B6														100	86	73	58	43	33	15

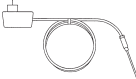

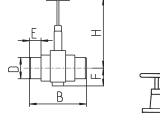
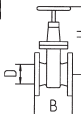


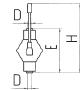
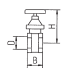
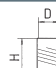

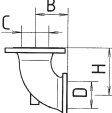
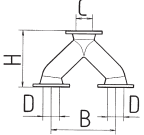
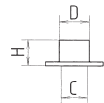
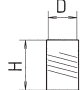

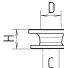
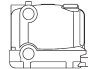
### ELECTRICAL DATA

Type	Type of current	Voltage Volt	Motor rating kW		Current Ampere	RPM min <sup>-1</sup>	Cable quality H07RN-F-	Cable length
			P <sub>1</sub>	P <sub>2</sub>				
compli ...25/4 C1	3-phase	3/N/PE~400	2.4	1.90	4.2	1395	6 G 1.5	10 m
compli ...35/4 C1	3-phase	3/N/PE~400	3.5	2.65	6.9	1424	6 G 1.5	10 m
compli ...55/4 C5	3-phase	3/N/PE~400	5.8	4.65	10.2 / 5.9	1430	10 G 2.5	10 m
compli ...75/4 C5	3-phase	3/N/PE~400	7.2	5.90	12.8 / 7.4	1432	10 G 2.5	10 m
compli ...75/4 B6	3-phase	3/N/PE~400	7.2	5.90	12.8 / 7.4	1432	10 G 2.5	10 m
compli ...35/2 B2	3-phase	3/N/PE~400	3.7	3.04	11.5 / 6.6	2895	6 G 1.5	10 m
compli...55/2 B2	3-phase	3/N/PE~400	5.2	4.45	8.7 / 5.0	2910	10 G 2.5	10 m
compli ...75/2 B5	3-phase	3/N/PE~400	7.7	6.60	13.2 / 7.7	2925	10 G 2.5	10 m
compli 100/2 B5	3-phase	3/N/PE~400	10.5	9.20	17.6 / 10.2	2920	10 G 2.5	10 m
compli 200/2 B6	3-phase	3/N/PE~400	17.3	15.4	28.8 / 16.7	2940	10 G 2.5	10 m

# JUNG PUMPEN COMPLI 1500/2500

## SEWAGE LIFTING STATIONS

### ACCESSORIES

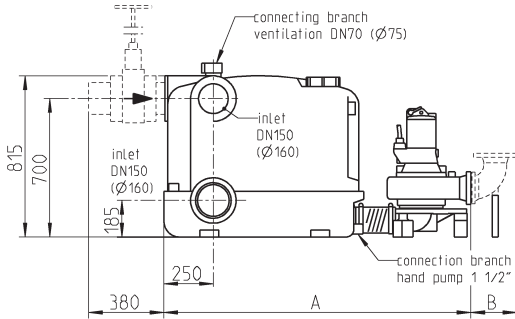
					Code No.		
	<b>1 Seal leak detector DKG</b> In case of duplex systems two units have to be taken into consideration.				<b>JP44900</b>		
	<b>2 Rechargeable battery</b> for control for mains-independent alarm				<b>JP44850</b>		
	<b>3 Sluice valve</b> with two pipe sockets for 6" inlet and tank connection (DN 150)	H	B	E	F	D	<b>JP28591</b>
		660	450	110	105	160	
	<b>4 Maintenance valve</b> with pipe socket (DN 100)	H	B	E	F	D	<b>JP45173</b>
		300	295	60	81	174	
	<b>5 Sluice valve*</b> for 4" pressure side (DN 100), PN 10, DIN EN 1171	H	B	E	D		<b>JP00329</b>
		345	190	-	DN 100	for 4" pressure side	
	<b>6 Swing-type check valve R 101*</b> PN 4, flange PN 10, DIN 3202, DIN EN 12050-4 without counterweight	H					<b>JP00325</b>
		300					
	<b>Swing-type check valve R 100 G*</b> PN 4, flange PN 10, DIN 3202, DIN EN 12050-4 with adjustable counterweight	H		D/DN			<b>JP00324</b>
		300		100			
	<b>7 Hand diaphragm pump</b> for emergency purposes (up to $H_{\text{geod}}$ 15 m)	H	E	D			<b>JP00255</b>
		ca. 640	430	1 1/2"			
	<b>8 Stop valve, 1 1/2" (DN 40), PN 16</b>	H	B	D			<b>JP44786</b>
		125	max. 60	1 1/2"			
	<b>9 Elastic connection 1 1/2" (DN 40), PN 4</b>	H	D				<b>JP44777</b>
		120	50				
	<b>10 Clamp 1 1/2"</b>						<b>JP44763</b>
	<b>11 Flanged connection*</b> (similar to Q unit 90°), C 100 (similar to Q-Stück 90°), B 80 für B5, B2	H	B	C/DN		D/DN	<b>JP00579</b>
		175	120	100 PN 10		100 PN 6	
		150	100	80 PN 10		80 PN 6	<b>JP00578</b>
	<b>12 Y-ducting*</b> DN 100/100/100, PN 10 (only for compli 1500)	H	B	C/DN		D/DN	<b>JP00203</b>
		355	480	100		100	
	<b>13 Flanged spigot F-KS*</b> for pressure side, DN 100, plastic pipe	H	D	C/DN	Flansch		<b>JP08673</b>
		153	110	100	PN 10		
	<b>Welded connection*</b> (F unit), for pressure side, C 100, steel pipe	100	114	100	PN 10		<b>JP00688</b>
	<b>14 Elastic connection 4" (DN 100), PN 4</b> for pressure side, DN 100, plastic pipe	H	D				<b>JP44778</b>
		200	110				
	for pressure side, DN 100, steel pipe	H	D				<b>JP44774</b>
		200	114				
	<b>15 Clamp 4"</b>						<b>JP44767</b>
	<b>16 Reducing adapter*</b> for B5, B2 (similar to FFR-piece to PN 10)	H	C/DN	D/DN			<b>JP00498</b>
		100	80	100			
	<b>17 Tank, 500 l</b>						<b>JP45945</b>

\* with screws and seal

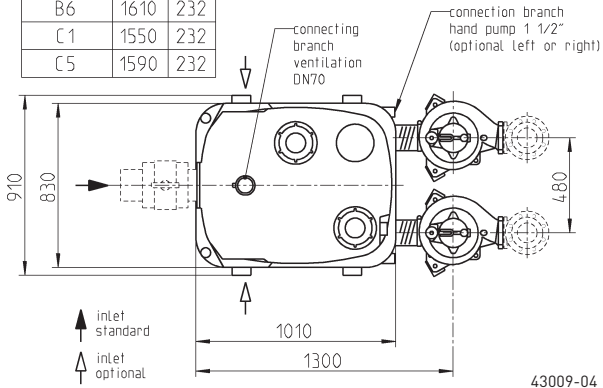
# JUNG PUMPEN COMPLI 1500/2500

## SEWAGE LIFTING STATIONS

### Dimensions compli 1500 (mm)

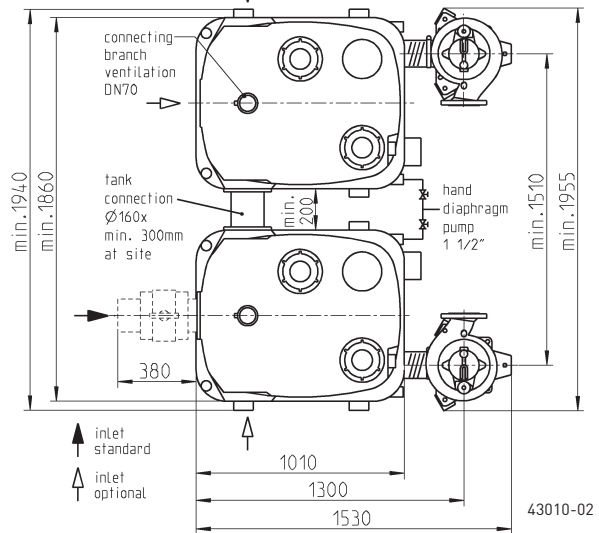
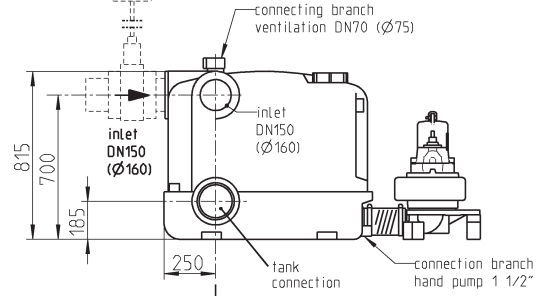


casing	A	B
B2	1520	202
B5	1560	202
B6	1610	232
C1	1550	232
C5	1590	232



In case of a chamber, plan 60 cm working space around all parts which have to be serviced.

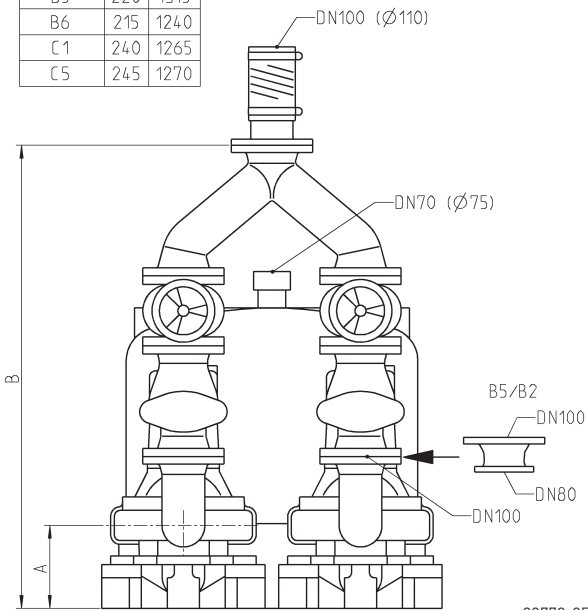
### Dimensions compli 2500 (mm)



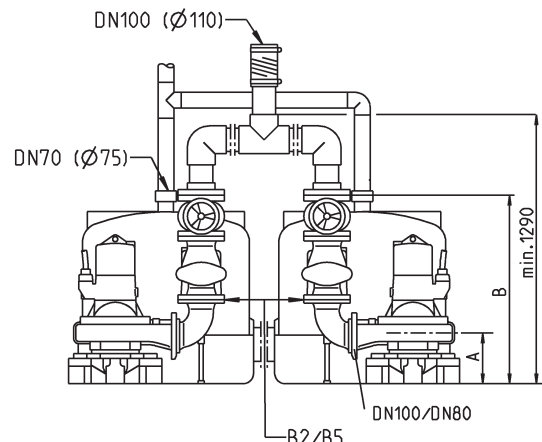
In case of a chamber, plan 60 cm working space around all parts which have to be serviced.

### Mounting dimensions compli 1500 (mm)

casing	A	B
B2	215	1340
B5	220	1315
B6	215	1240
C1	240	1265
C5	245	1270



### Mounting dimensions compli 2500 (mm)



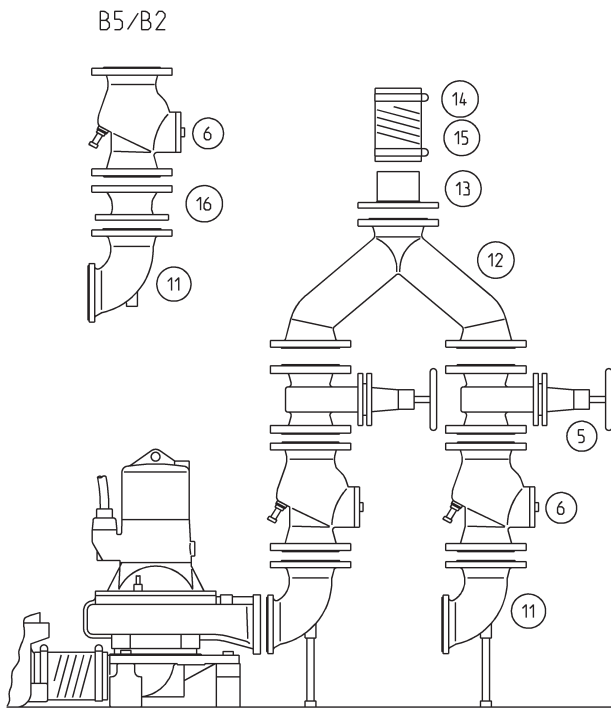
casing	A	B
B2	215	960
B5	220	965
B6	215	885
C1	240	910
C5	245	915

20779-04

# JUNG PUMPEN COMPLI 1500/2500

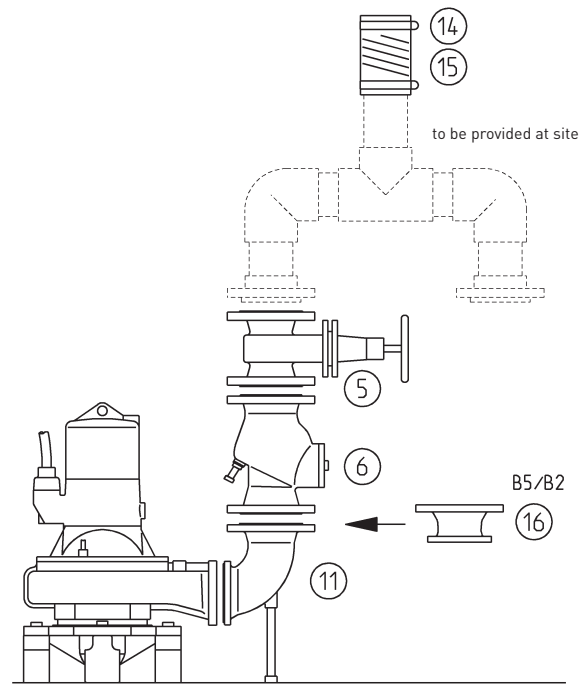
## SEWAGE LIFTING STATIONS

Mounting arrangement of compli 1500



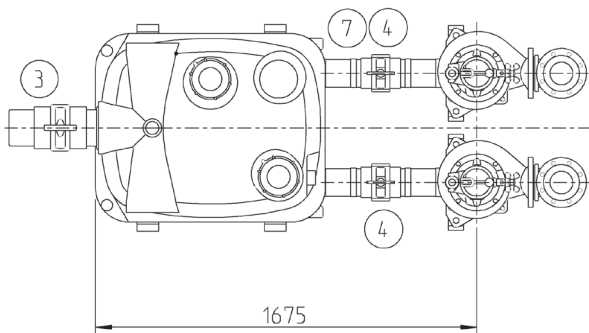
22529-04

Mounting arrangement of compli 2500



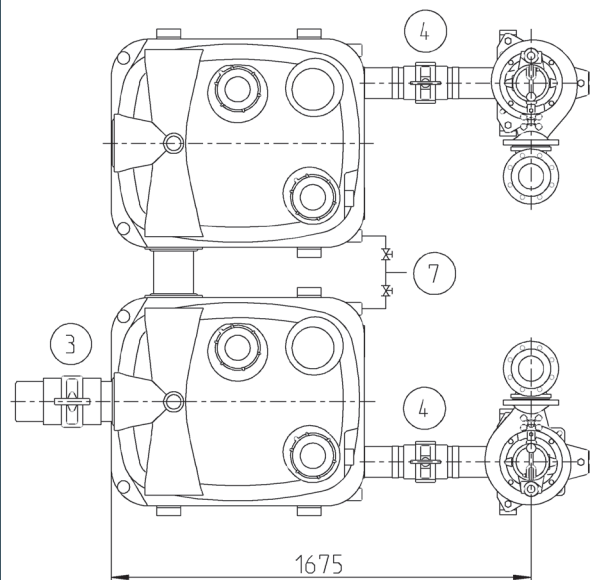
22530-04

Mounting arrangement of compli 1500



45106-00

Mounting arrangement of compli 2500



45107-00

# JUNG PUMPEN COMPLI 1500/2500

## SEWAGE LIFTING STATIONS

### TECHNICAL DATA

#### Pump

Vertical, single-stage, submersible, single-vane impeller with spiral housing and horizontal outlet flanged on to a stable duckfoot bend as well as low-noise and low-vibration absorber.

#### Bearing

Common shaft for pump and motor, grease-packed ball bearing.

#### Motor

Submersible, IP 68 type of protection, insulation class F, winding thermostats for the protection of the drives against overheating, automatic start-up by three-contact circuit and control, operating mode S3 in keeping with VDE.

#### Seal

Silicon-carbide mechanical seal independent of the sense of rotation, oil chamber and artificial carbon mechanical seal (or duplex rotary shaft seal) to motor compartment, safe to run dry, connection options for seal leak detector.

#### Materials

Tank made of corrosion-resistant and environmentally friendly polyethylene, pump and motor housing, impeller and duckfoot bend made of wear-resistant grey cast iron, shaft completely covered against the material to be transported, rubber insulated hose.

#### Scope of supply

Tank system in keeping with German / international standard DIN EN 12050 in assembly groups, prepared for final

assembly on site: Tank with clamp-type flange DN 150, two mounted submersible pumps and automatic level control, duckfoot bend, mounting material, elastic connections for the DN 70 ventilation and duckfoot bend connections with clamps, control with motor protection for automatic two-way connection with mains-dependent alarm system, potential-free contact for collective failure messages, hand-0-automatic switch and optical display of sense of rotation, alarm and operation. To be fitted with a micro-processor control as well upon request. Cable between pump and control 10 m.

Accessories to be ordered according to mounting drawing.

