

JUNG PUMPEN BAUFIX-200 UNDERFLOOR SUMP

- Pressure stabilizer sump
- Single- or duplex system
- Floor drain with odour trap
- Level-compensating frame
- Seal collar for attaching to the customer's thin-bed waterproofing system
- Use in groundwater areas possible
- Guide rail system GR 32 or GR 50 possible



APPLICATION

Baufix 200 is for bigger domestic wastewater volume and larger storage capacity. Without requiring a great deal of construction work, it disposes of domestic wastewater from laundries, storage or cellar areas.

Baufix 200 can be installed as a single as well as duplex system. The required components for the installation of the pump are part of the scope of supply. The duplex system provides bigger security in the disposal in wastewater. In normal operation the two pumps operate alternately or at the same time to cope with peak load.

If the system is to be operated as a single system, a pump with a built-in level control must be selected.

The pump to be placed can be selected according to the amount of wastewater. The dirty water to be transported and the pumping power required have to be taken into consideration in particular. In case of slightly dirty water, pumps U3K, U5K or U6K E+D can be used. If the admixtures are larger or the volume of wastewater is bigger, the use of a pump of the US series is recommendable. Pumps US 73+103 Ex are used in hazardous areas. In case of commercial applications, the resistance of the materials have to be tested in advance. Depending on the type of pump used, the Hebefix 200-32 with 1½" or the Hebefix 200-50 with 2" discharge branch has to be chosen.

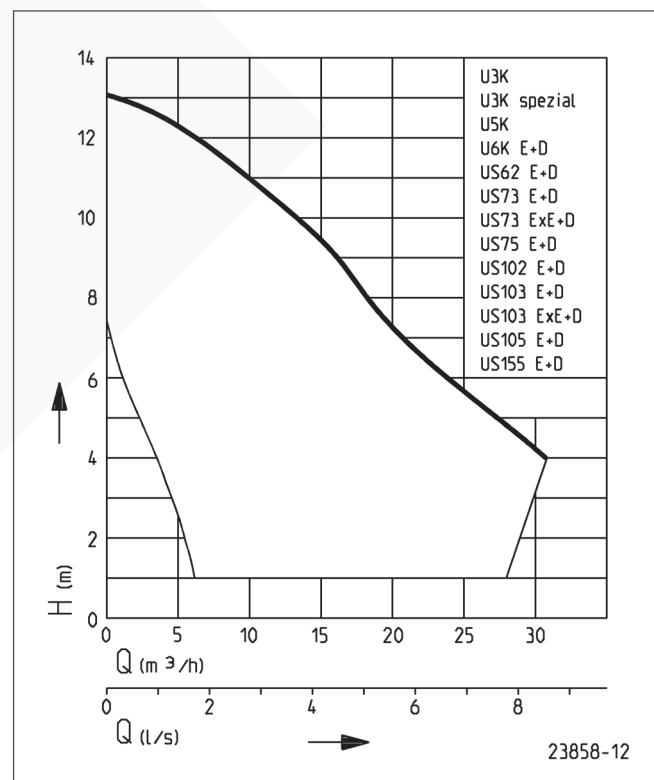
Without formwork, the pressure-resistant plastic PE sump is placed into the concrete bed and forms a collecting tank for underfloor pipework. The installation in areas with high ground water levels is possible under the use of the groundwater seal.

By subsequently adjusting the plastic cover frame, the sump cover can be adapted easily and variably to the floor and tile conditions.

The unit is in conformity with the specification of German / European standard DIN EN 12050.

We reserve the right to change specifications without notice. Pump performance is subject to ISO 9906 tolerances

PERFORMANCE



JUNG PUMPEN BAUFIX-200

UNDERFLOOR SUMP

SCOPE OF SUPPLY

Plastic sump to house a pump tested in keeping with German / European standard EN 12050 with shaped connecting piece, with level-compensating plastic cover frame with cover plate

and odour trap for floor drain, hose connection and pressure pipe with two swing-type check valves, plug for cable conduit, without pumps.

MECHANICAL DATA

Tank capacity	240 l
---------------	-------

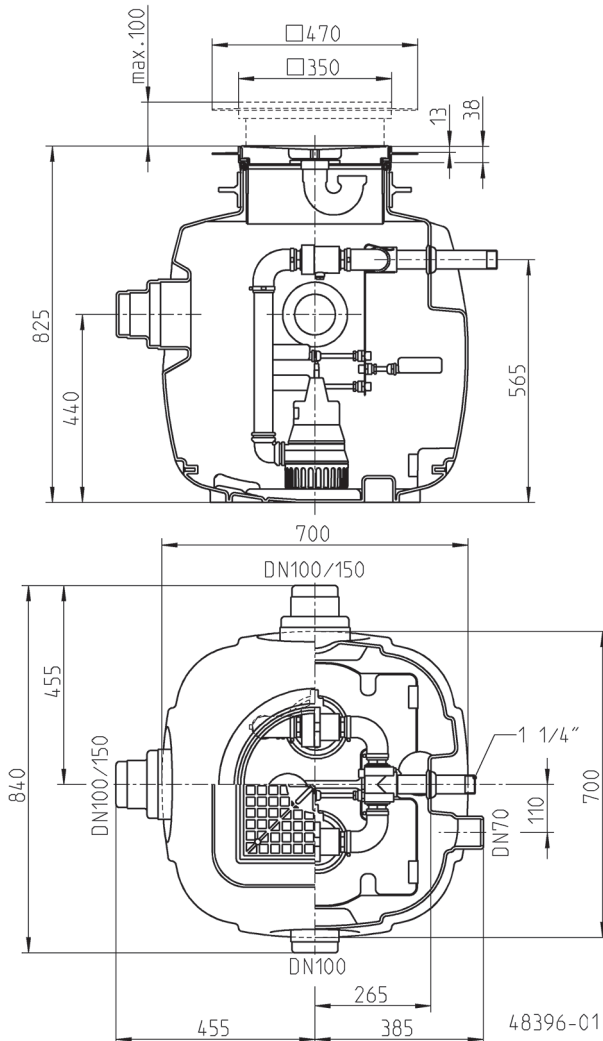
BAUFIX-200

Type	Art.-Nr.	Weight
Baufix 200-32	JP48186	30 kg
Baufix 200-50	JP48187	37 kg

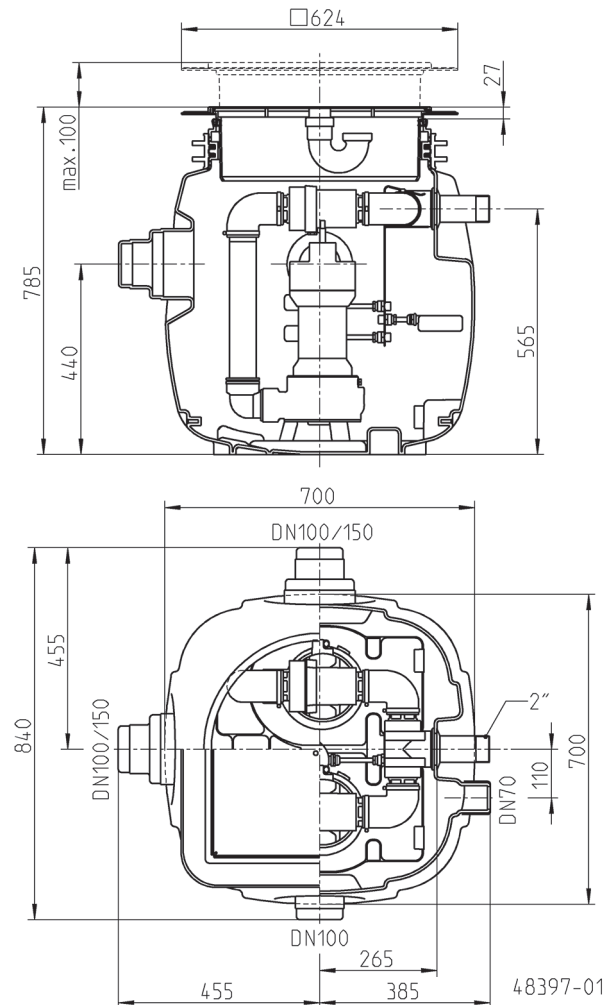
POSSIBLE PUMPS

Baufix 200-32		Baufix 200-50
U3K	US 73 E/D	US 75 E/D
U5K	US 102 E/D	US 105 E/D
U6K E/D	US 103 E/D	US 155 E/D
US 62 E/D	US 73 E/D Ex	
	US 103 E/D Ex	

Dimensions Baufix 200-32 (mm)



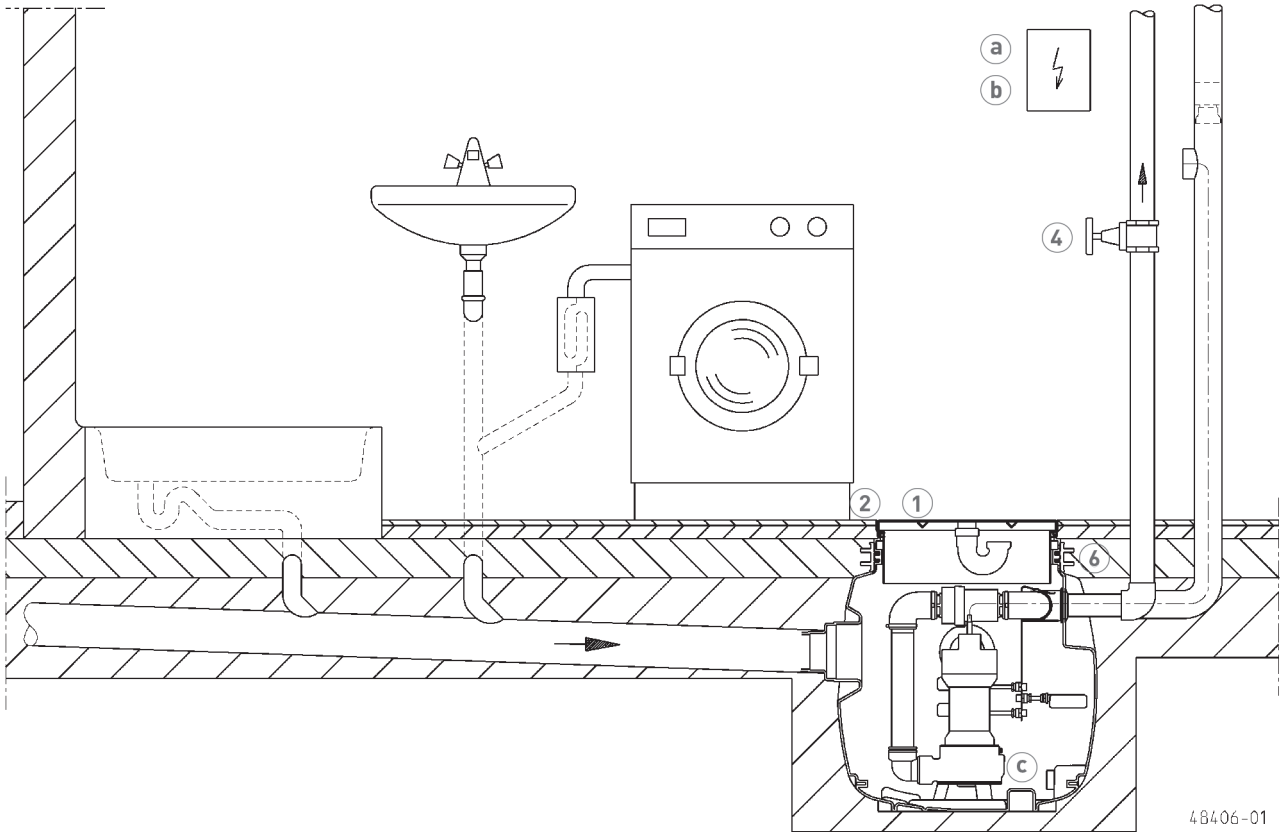
Dimensions Baufix 200-50 (mm)





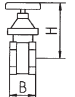
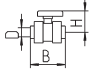
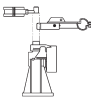

JUNG PUMPEN BAUFIX-200

UNDERFLOOR SUMP

Mounting arrangement Baufix 200



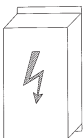
MECHANICAL ACCESSORIES

				Art.-Nr.
	① Cover plate	stainless steel, to be tiled with floor drain and odour trap		JP24024
	② Cover frame	stainless steel		JP28118
	③ Special ventilation	special filter with housing, not for hot water		JP27484
	④ Stop-valve	1¼" [DN 32], PN 16	110x60 (HxB)	JP44785
		1½" [DN 40], PN 16	125x60 (HxB)	JP44786
		2" [DN 50], PN 16	140x70 (HxB)	JP44787
	Ball valve	1¼", PVC, for aggressive media	105x155 (HxB)	JP46111
	⑤ Guide rail system	Guide rail system GR32 for Hebefix 200/Baufix 200 (U3/U5/U5)		JP48279
		Guide rail system GR50 for Hebefix 200/Baufix 200 (US75/US105/US155)		JP48280
	⑥ Ground water seal	groundwater seal for Ø500 für Baufix 200-50		JP48215
		groundwater seal Ø315 for Baufix 100 / Baufix 200-32		JP47216
	⑦ Sump extension	for Baufix 200-50		JP48282

JUNG PUMPEN BAUFIX-200

UNDERFLOOR SUMP

ELECTRICAL ACCESSORIES

		Art.-Nr.	
	a	Level control for single units	
	Control unit AD 4 ExW	for US 73E EX	JP25901
	Control unit AD 8 ExW	for US 103E E	JP25902
	Control unit AD 23 Ex	for US 73D EX	JP09754
	Control unit AD 25 Ex	für US 103D EX	JP09683
	Auxiliary switch unit ExH-A for explosion-proof pumps only		JP16720
		Level control for duplex units	
	Control unit BD 00 E	230 V, for pumps U3-U6, US 62-105 and 08/2 ME	JP45735
	Control unit BD 00	400 V, for Pumpen U6 and US 62-105	JP45993
	Control unit BD 25	400 V, for pumps US 151-155	JP45737
	Control unit BD 23 Ex	for US 73 D, EX	JP09755
	Control unit BD 25 Ex	for US 103 D, EX	JP09681
	Auxiliary switch unit ExH-B for explosion-proof pumps only		JP00295
	Submersible switch pack B232	for Hebefix 200-32 / Baufix 200-32	JP48228
	Submersible switch pack B250	for Hebefix 200-50 / Baufix 200-50	JP48229
	Submersible switch pack BF232	for grease-containing wastewater	JP48298
	Submersible switch pack BF250	for grease-containing wastewater	JP48299
		Level control	
	Dry run protection		JP44603
		Alarm unit	
AG3	subm. ball contact switch, mains-dependent, potential-free contact, 3 m cable	JP44891	
AG10	subm. ball contact switch, mains-dependent, potential-free contact, 9,5 m cable	JP44892	
		Alarm unit washing machine stop	
	AW3	subm. ball contact switch, mains-dependent, 3 m cable	JP44895
	AW0	for alarm forwarding in case of several washing machines	JP44899
	b	Rechargeable battery	
		for mains-independent alarm	JP44850
	c	Seal leak detector	
		DKG	JP44900
		DKG Ex for explosion-proof pumps	JP00249