

JUNG PUMPEN US 62-251

SUBMERSIBLE DRAINAGE PUMPS

10 MM FREE PASSAGE

APPLICATION

The centrifugal submersible drainage pumps US 62-251 can be used wherever sewage water with solids up to 10 mm particle size occurs, e.g. in collecting sumps for ground water, or in permanent draining systems for clean water, or handling solids in suspension. They are also ideal for pumping the sewage water from collecting sumps into which dishwashers or washing machines are discharging. For high temperature hot water in the industrial and commercial field we recommend the use of our US 73 and US 103 HE/HES.

This range of pumps is suitable for stationary and portable use. For easy removal of the pumps from deep sumps we recommend the use of our guide rail systems which provide ease of maintenance and inspection.

For automatic monitoring of the oil chamber a seal leak control can be connected.

Maximum cable length of the pumps is 10 m. 3-phase pumps with level control (US 151 DS, US 152 DS and US 251 DS) have a CEE-Plug with phase inverter.

The sewage pumps are tested by the German Institute for Construction Engineering and correspond to the valid construction and test principles.

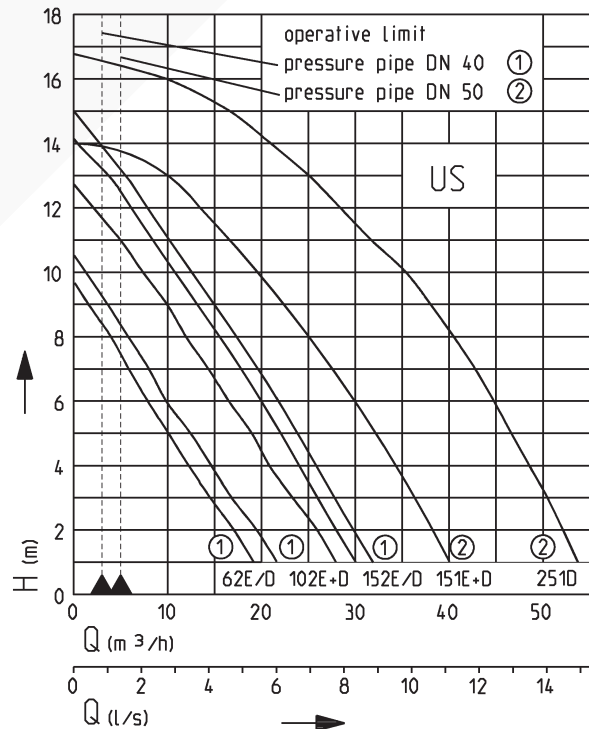


US 251 D

US 62 ES

- Safe to run dry
- Easy to maintain due to guide rail systems
- 10 mm free passage
- Controllable oil chamber
- SiC mechanical seal independent of rotation direction
- Replaceable moisture sealed cable inlet

PERFORMANCE



25696-03

We reserve the right to change specifications without notice

Pump performance is subject to ISO 9906 tolerances

The minimum flow velocity in the pressure piping must be 0.7 m/s according to EN 12056. This data is represented in the performance curve as a limit of application.

JUNG PUMPEN US 62-251

SUBMERSIBLE DRAINAGE PUMPS

10 MM FREE PASSAGE

SUBMERSIBLE DRAINAGE PUMPS US 62-251

Type	Maximum Height x Width x Depth	Discharge branch	Free passage	Cable quality H07RN-F-	Cable length with plug	Cable length without plug	Weight approx.	Code No.
Pumps without level control								
US 62 E	380 x 190 x 210 mm	1½"	10 mm	3G1.0	10 m		12.6 kg	JP09812
US 62 D	380 x 190 x 210 mm	1½"	10 mm	4G1.0	10 m		12.8 kg	JP09813
US 102 E	410 x 190 x 210 mm	1½"	10 mm	3G1.0	10 m		14.5 kg	JP09278
US 102 D	410 x 190 x 210 mm	1½"	10 mm	4G1.0	10 m		15.0 kg	JP00214
US 152 E	435 x 190 x 210 mm	1½"	10 mm	3G1.0		10 m	16.0 kg	JP09435
US 152 D	435 x 190 x 210 mm	1½"	10 mm	4G1.0		10 m	17.0 kg	JP09437
Pumps with built-in level control								
US 62 ES	380 x 225 x 325 mm	1½"	10 mm	3G1.0	10 m		12.7 kg	JP09814
US 62 DS	380 x 225 x 325 mm	1½"	10 mm	4G1.0	10 m		12.9 kg	JP09815
US 102 ES	410 x 225 x 325 mm	1½"	10 mm	3G1.0	10 m		14.5 kg	JP09279
US 102 DS	410 x 225 x 325 mm	1½"	10 mm	4G1.0	10 m		15.0 kg	JP00218
US 152 ES	435 x 225 x 325 mm	1½"	10 mm	3G1.0	10 m		16.0 kg	JP09436
US 152 DS	435 x 225 x 325 mm	1½"	10 mm	4G1.0	10 m		17.0 kg	JP09438
Pumps without level control								
US 151 E	360 x 220 x 310 mm	2"	10 mm	4G1.0		10 m	27.0 kg	JP09310
US 151 D	360 x 220 x 310 mm	2"	10 mm	6G1.5		10 m	27.5 kg	JP09300
US 251 D	360 x 220 x 310 mm	2"	10 mm	6G1.5		10 m	27.5 kg	JP09301
Pumps with built-in level control								
US 151 ES	360 x 220 x 310 mm	2"	10 mm	4G1.0	10 m		29.0 kg	JP09241
US 151 DS*	360 x 220 x 310 mm	2"	10 mm	6G1.5	10 m		29.5 kg	JP09243
US 251 DS*	360 x 220 x 310 mm	2"	10 mm	6G1.5	10 m		29.5 kg	JP09245

* CEE-Motorprotection with phase inverter

PERFORMANCE

Type	Delivery head H [m]	1	2	3	4	5	6	7	8	9	10	11	12	13	14	16
US 62 E/ES		19	17	15	12	10	8	6	4	2			Flow rate Q [m³/h]			
US 62 D/DS		22	20	17	15	12	10	8	6	4						
US 102 E/ES/D/DS		28	26	23	21	19	17	15	12	10	8	5	2			
US 152 E/ES		30	29	27	24	22	20	18	15	13	11	8	6	3	1	
US 152 D/DS		31	30	28	26	23	21	19	17	14	12	10	8	5	3	
US 151 E/ES/D/DS		40	39	37	35	33	31	29	26	23	20	17	14			
US 251 D/DS		54	52	51	49	47	45	43	40	38	35	32	29	25	21	10

ELECTRICAL DATA

Type	Type of current	Voltage Volt	Motor rating kW P1 P2	RPM min-1	Current Ampere	Motor protection	Plug
US 62 E/ES	1-phase	1/N/PE~230	0.83 0.50	2510	3.9	integrated	Safety-
US 62 D/DS	3-phase	3/PE~400	0.85 0.60	2800	1.4	integrated	CEE-
US 102 E/ES	1-phase	1/N/PE~230	1.37 0.98	2700	6.0	integrated	Safety-
US 102 D/DS	3-phase	3/PE~400	1.36 1.06	2740	2.4	integrated	CEE-
US 152 E	1-phase	1/N/PE~230	1.60 1.21	2814	7.5	on site*	-
US 152 ES	1-phase	1/N/PE~230	1.60 1.21	2814	7.5	integrated	Safety-**
US 152 D	3-phase	3/PE~400	1.70 1.41	2815	3.1	on site*	-
US 152 DS	3-phase	3/PE~400	1.70 1.41	2815	3.1	integrated	CEE-**
US 151 E	1-phase	1/N/PE~230	1.68 1.19	2812	7.6	on site*	-
US 151 ES	1-phase	1/N/PE~230	1.68 1.19	2812	7.6	integrated	Safety-**
US 151 D	3-phase	3/N/PE~400	1.60 1.30	2925	3.0	on site*	-
US 151 DS	3-phase	3/N/PE~400	1.60 1.30	2925	3.0	integrated	CEE-**
US 251 D	3-phase	3/N/PE~400	2.60 2.10	2860	4.4	on site*	-
US 251 DS	3-phase	3/N/PE~400	2.60 2.10	2860	4.4	integrated	CEE-**

* additional requirements. see technical data or accessories

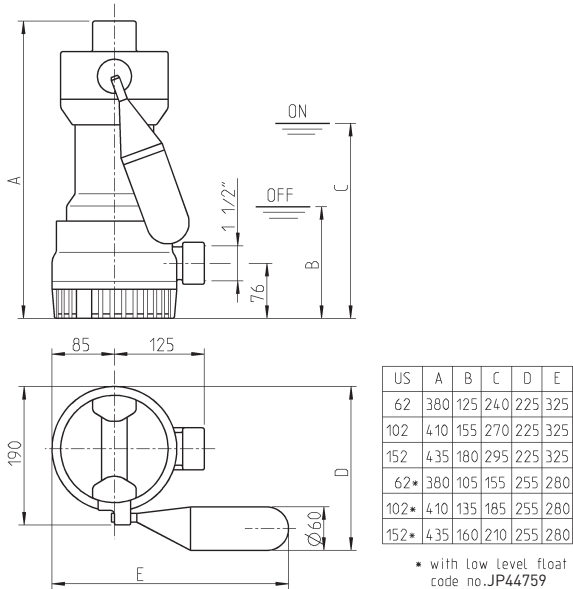
** Protective motor plug

JUNG PUMPEN US 62-251

SUBMERSIBLE DRAINAGE PUMPS

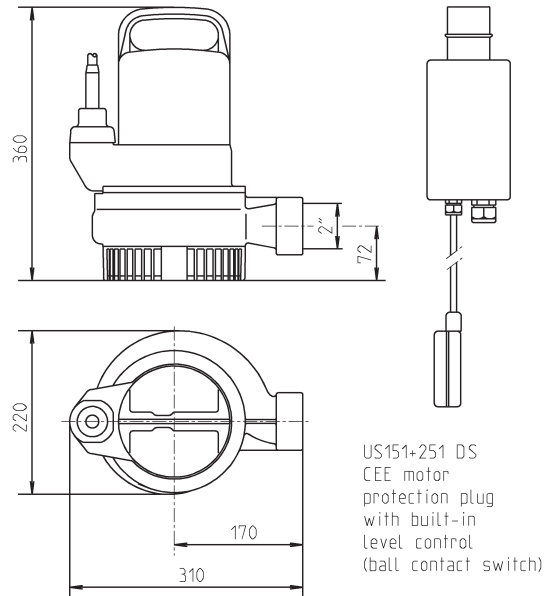
10 MM FREE PASSAGE

Dimensions US 62, US 102 and US 152 (mm)



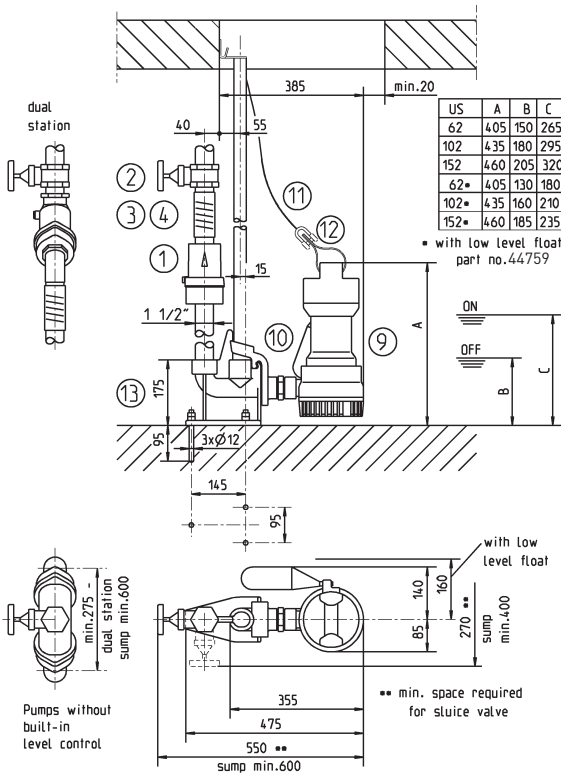
25616-04

Dimensions US 151 and US 251 (mm)



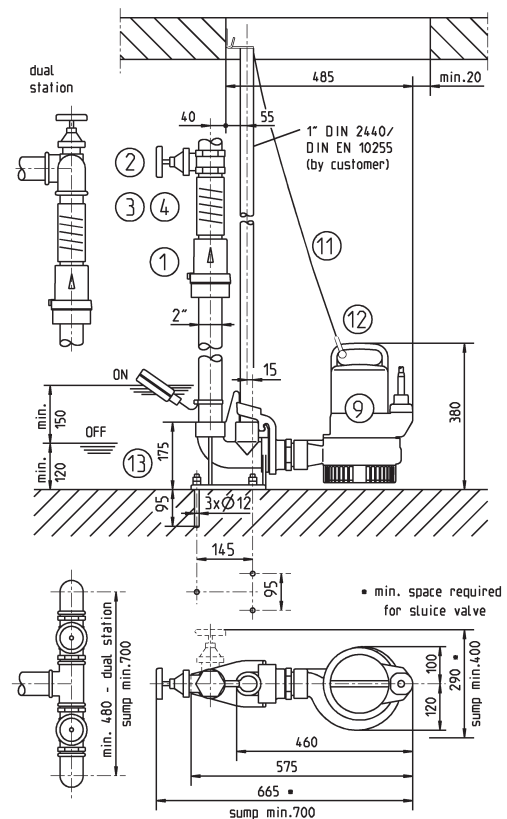
24026-02

Dimensions with GR 40 (mm)



25643-11

Dimensions with GR 50 (mm)



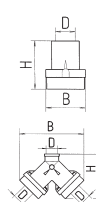

25619-10

JUNG PUMPEN US 62-251

SUBMERSIBLE DRAINAGE PUMPS

10 MM FREE PASSAGE

ACCESSORIES

	H	W	D	Code No.	62 E	62 ES	62 D	62 DS	102 E		
	1 Swing-type check valve DIN EN 12050-4 Ball check valve DIN EN 12050-4 Elbow ball check valve DIN EN 12050-4 Duplex swing-type check valve for duplex pump stations, DIN EN 12050-4	1½" (DN 40), PN 4 2" (DN 50), PN 4 2" (DN 50), PN 6 1½" (DN 40), PN 6, 1½" (DN 40), PN 4	150 150 185 170 200	120 120 155 125 280	1½" 2" 2" 1½" 1½"	JP00317 JP00326 JP44782 JP44783 JP09155	•	•	•	•	•
	2 Stop valve	1½" (DN 40), PN 16 2" (DN 50), PN 16	H 125 max.60	W max.67	D 1½"	JP44786 JP44787	•	•	•	•	•
	3 Elastic connection	1½" (DN 40), PN 4 2" (DN 50), PN 4	H 120	D 50	JP44777 JP44775	•	•	•	•	•	•
	4 Hose band clamp	1½" 2"	JP44763 JP44764	•	•	•	•	•	•	•	
	5 Elbow 1½" Elbow 2"	JP45953 JP44771	•	•	•	•	•	•	•	•	
6 Alarm unit AG3 with submersible ball contact switch, separate, mains-dependent, with potential-free contact and 3 m cable Alarm unit AG10 ditto, with 9.5 m cable Alarm unit washing machine stop AW3 with submersible ball contact switch with 3 m cable, separate, mains-dependent				JP44891 JP44892 JP44895		•		•			
	7 Separate level controls for single unit (see level controls for description) NE 1 (Single-phase current) with sub. ball contact switch 3.0 m NE 2 (Single-phase current) with sub. ball contact switch 9.5 m ND 1 (3-phase current) with sub. ball contact switch 3.0 m ND 3 (3-phase current) with sub. ball contact switch 9.5 m NE 1A (Single-phase current) with sub. ball contact switch 3.0 m and alarm system NE 2A (Single-phase current) with sub. ball contact switch 9.5 m and alarm system ND 1A (3-phase current) with sub. ball contact switch 3.0 m and alarm system ND 3A (3-phase current) with sub. ball contact switch 9.5 m and alarm system Counterweight (1 piece) Duplex control units (see section on level controls for description) BD 00 E (Single-phase current) BD 610 EC (Single-phase current with operating capacitor) BD 00 (3-phase current) BD 25 (3-phase current) BD 46 (3-phase current) Subm. switch pack B with 3 subm. ball contact switches with 9.5 m cable and fixing device BmG with 3 subm. ball contact switches with 9,5 m cable and counterweight Protective motor safety plug - 230 V (without level control) Protective motor plug - 8 A, 230 V (without level control) Protective motor plug - 2.5-4 A, 400 V (without level control) CEE-Protective motor plug - 400 V (without level control)	3.0 m 9.5 m 3.0 m 9.5 m 3.0 m and alarm system 9.5 m and alarm system 3.0 m and alarm system 9.5 m and alarm system 1 piece (Single-phase current) (Single-phase current with operating capacitor) (3-phase current) (3-phase current) (3-phase current) with 9.5 m cable and fixing device with 9,5 m cable and counterweight 2,8-4,0 A 4,0-6,0 A	JP16710 JP16711 JP16712 JP16713 JP16714 JP16715 JP16716 JP16717 JP44803 JP45735 JP45743 JP45993 JP45737 JP45739 JP16725 JP16726 JP40264 JP44753 JP44754 JP44750 JP44751	•	•		•	•	•	•	
	8 Rechargeable battery for off the line operation of the alarm system				JP44850	•	•	•	•	•	
	9 Seal leak detector DKG				JP44900	•	•	•	•	•	
	10 Special float assembly for low switching points * Switching points US 62 ON/OFF US 102 ON/OFF US 152 ON/OFF without GR 155/105 mm 185/135 mm 210/160 mm with GR 180/130 mm 210/160 mm 235/185 mm				JP44795		•		•		
	11 Chain certified, stainless steel, 2.5 m, 5 rings, 160 kg, (EN818 mod.) Chain certified, stainless steel, 5.0 m, 8 rings, 160 kg, (EN818 mod.)				JP45901 JP45902	•	•	•	•	•	
	12 Webbing with Shackle A 0.6				JP45168	•	•	•	•	•	
	13 Guide rail system GR 40 Guide rail system GR 50				JP25592 JP25593	•	•	•	•	•	

* only for single units

♦ in connection with a motor protection plug

✕Control unit on request

JUNG PUMPEN US 62–251

SUBMERSIBLE DRAINAGE PUMPS

10 MM FREE PASSAGE

TECHNICAL DATA

Pump

Vertical, single-stage, submersible, open centrifugal impeller with 10 mm free passage

US 62, US 102 and US 152: volute casing with discharge branch 1½" (female thread).

US 151 and US 251: spiral casing with horizontal discharge 2" (female thread).

Bearings

Common shaft for pump and motor, with ball bearings, deep groove ball bearing with grease chamber (US 151 and 251 with angular ball bearings).

Seal

Silicon carbide mechanical seal, oil chamber and duplex rotary seal towards the motor section, safe to run dry, a seal leak control can be connected.

Motor

Submersible, motor type of enclosure IP 68, insulation class B or F (US 151 and US 251), winding thermostat protects the motor from overload, starting via plug, automatically via mounted circuit or submersible ball contact switches.

US 152: To protect the motor, a correct adjusted motor protecting switch has to be provided in the control unit at site by the customer.

US 151 E: To protect the motor, a correct adjusted motor protecting switch and an operating capacitor 30 µF have to be provided in the control unit at site by the customer. The winding thermostat (provided by customer in the control unit) must be corrected in series with the input side of the motor contactor.

US 151 D und US 251 D: To protect the motor, a correct adjusted motor protection switch has to be provided in the control unit at site by the customer. The winding thermostat (provided by customer in the control unit) must be corrected in series with the input side of the motor contactor.

Materials:

Volute casing or spiral housing made off GG grey cast iron, power supply through rubber insulated flexible cable.

US 62, US 102 and US 152: Terminal board lid, open centrifugal impeller, wear plate and foot strainer made off GRP, motor casing and shaft from stainless steel.

US 151 and US 251: Motor casing and cable inlet made of GG grey cast iron, open centrifugal impeller and foot strainer made of GRP, rubber coated wear plate, shaft from C 45 steel encapsulated

Installation

Pump can be installed free standing or in connection with guide rail system GR 40 or GR 50.

Scope of supply

Pump according to DIN EN 12050 ready for connection with 10 m cable. US 62 and US 102 with safety plug (1-phase) or CEE-Plug (3-phase).

US 151, US 152 and 251: Pumps without level control with free lead end. Pump with built-in level control with CEE-Plug and phase inverter (3-phase) or safety-plug (1-phase).

